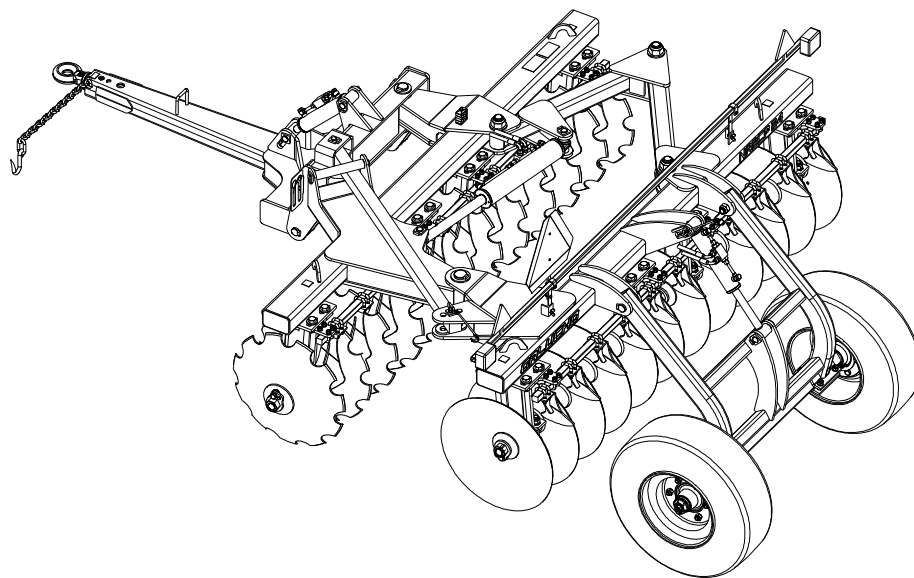




GALUCHO

**CATÁLOGO DE PEÇAS
LISTE DE PIÈCES DE RECHANGE
SPARE PART'S LIST**

GRADE NA2CP 24-24" DRF



**GRADE DE DISCOS REBOCADA OFFSET EM "V"
PULVÉRISSEURS TRÂINÉS EN "V"
TRAILLED DISC HARROWS IN "V"**

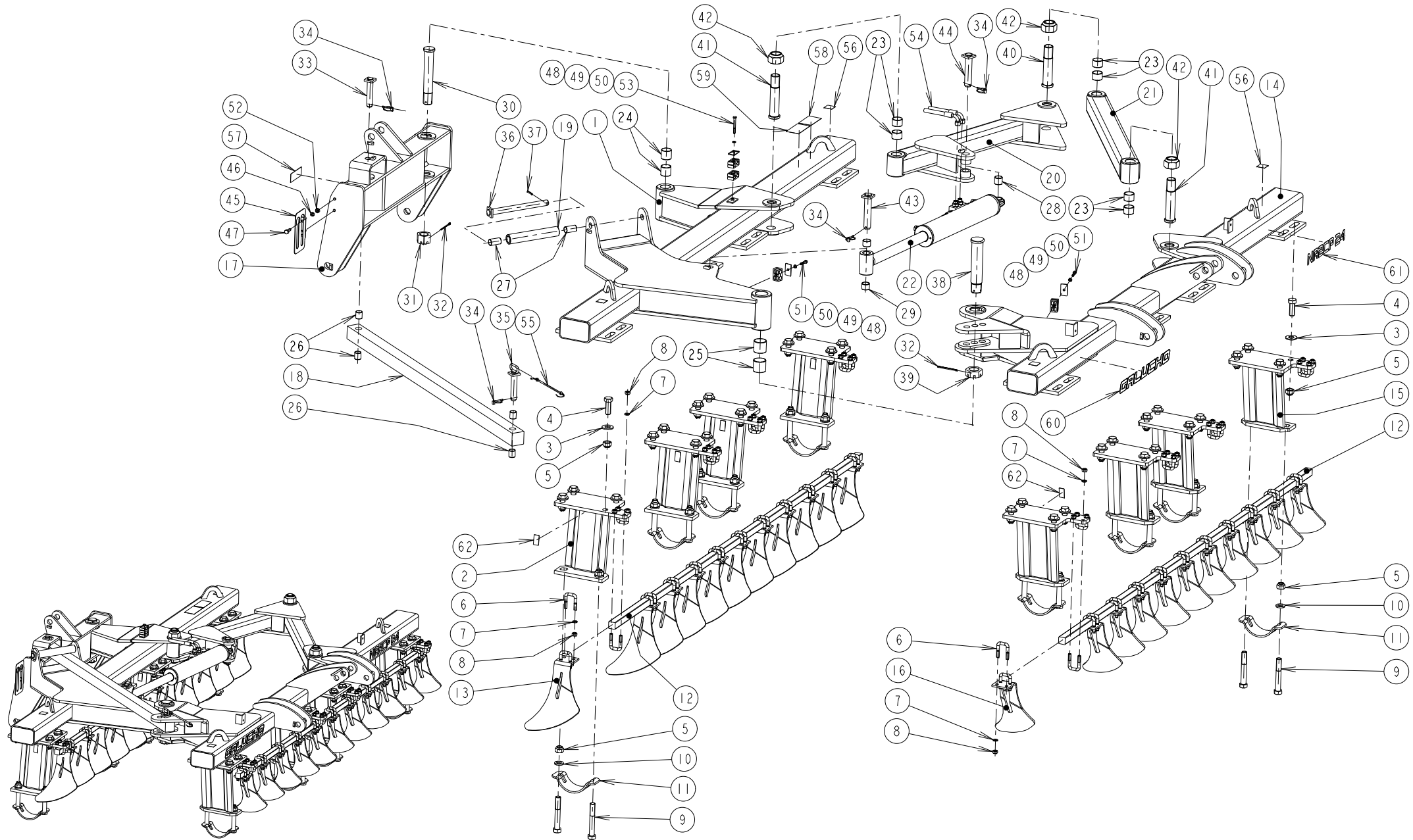

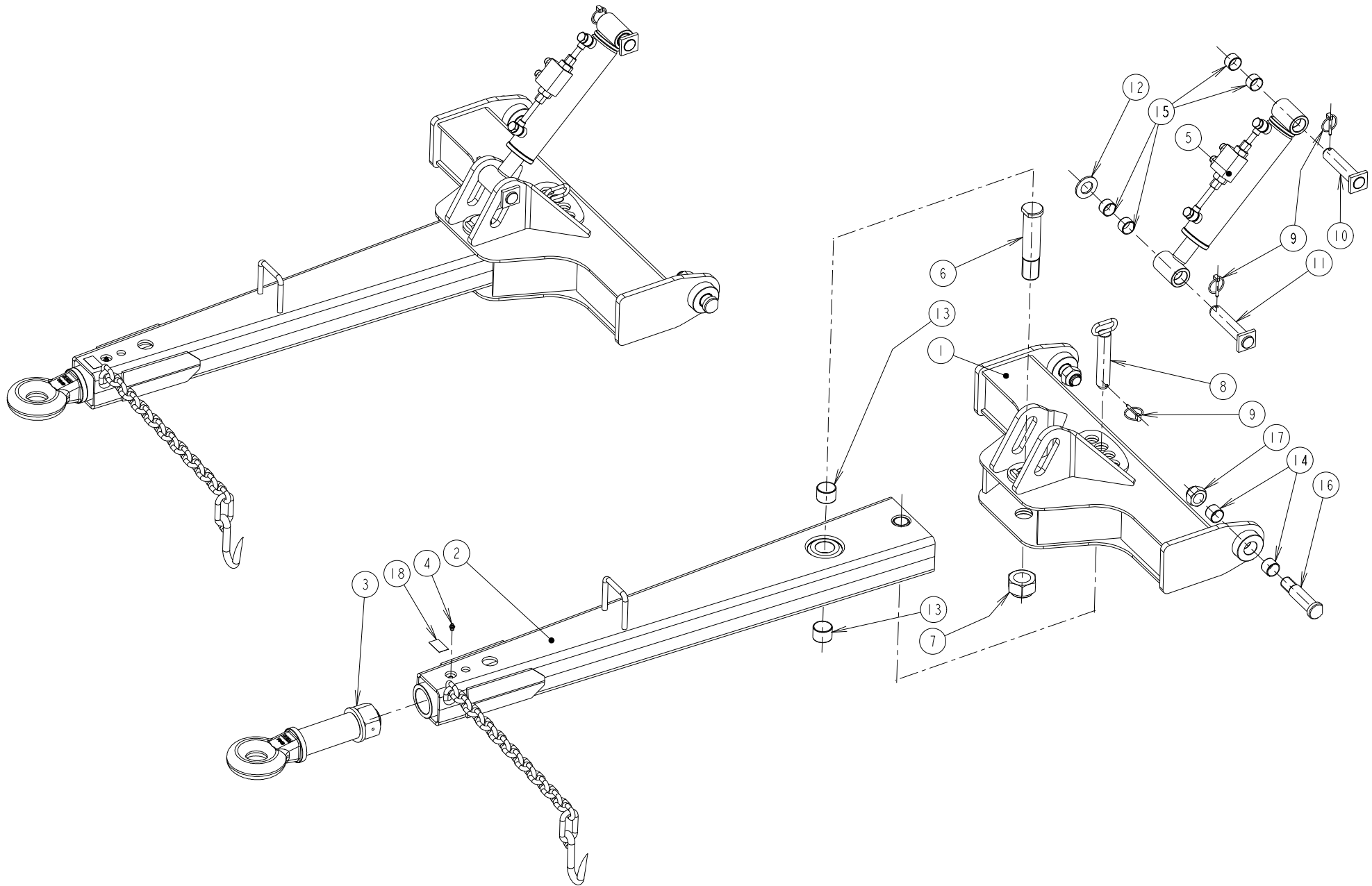


Fig. Ref. N°	Referência CodeCodigo	Quantidade/Alfaia Quantité/Machine Quantity/Implement	Descrição	Designation	Description
		NA2CP 24-24"			
1	221060010	1	QUADRO DIANTEIRO 24	TRAIN DE DISQUES AVANT 24	FRONT GANG 24
2	221000920	4	CONJ. PILAR DIANTEIRO	PILIER AVANT	PILLAR FRONT
3	912012404	32	ANILHA REF Ø24,5x50x4	RONDELLE	FLAT WASHER
4	910112260	32	PARAF. CS RT 8.8 M22x60	VIS HEXAGONAL	HEXAGONAL SCREW
5	911150220	48	PORCA S AUTOBL M22 ZN	ÉCROU INDESSERRABLE M22 ZN	SELF LOCKING NUT M22 ZN
6	915041274	60	BRAÇAD. RECT. M12x47x74	BOULON EN "U" M12x47x74	U BOLT M12x47x74
7	912020120	120	ANILHA MOLA 12 ZN	RONDELLE ÉLASTIQUE 12	SPRING WASHER 12
8	911118120	120	PORCA SEXT. 8 M12	ÉCROU HEXAGONAL M12	HEXAGONAL NUT M12
9	910102280	16	PARAF. CS 8.8 M22x150	VIS HEXAGONAL	HEXAGONAL SCREW
10	912012306	16	ANILHA REF Ø23x40x5	RONDELLE	FLAT WASHER
11	224110720	8	RESG. DA CHUM. QD32 P/9	COQUILLE DE PROTECTION	BEARING WEARING PLATE
12	221060460	2	SUP. RASPADEIRA 24	SUPPORT DE DECROTOIR QD 32	DISC SCRAPER SUPPORT QD 32
13	221000430	11	CONJ. RASPADEIRA DIANT.	DESCROTTOIR TRAIN AVANT	DISC SCRAPER, FRONT GANG
14	221060150	1	CONJ. QUADRO TRASEIRO 24	TRAIN DE DISQUES ARIERE 24	REAR GANG 24
15	221000950	4	CONJ. PILAR TRASEIRO	PILIER ARRIÈRE	PILLAR REAR
16	221000440	11	CONJ. RASPADEIRA TRAS.	DESCROTTOIR TRAIN ARRIÈRE	DISC SCRAPER, REAR GANG
17	221000700	1	CONJ. CAMBOTA NA2CP	BARRE D'ATTELAGE NA2CP	HITCH BAR NA2CP
18	221060450	1	REG. DE ABERTURA 24	REGULATEUR D'OUVERTURE	CLEARANCE REGULATOR
19	912112824	1	CASQ. Ø42.4/28x248 AUTO-LUB.	BAGUE	BUSHING
20	221060300	1	CONJ. TIRANTE DIANT. 24	TIRANT AVANT 24	TIRANT FRONT 24
21	221060400	1	CONJ. TIRANTE TRAS. 24	TIRANT ARRIÈRE 24	TIRANT REAR 24
22	931014800	1	80G-380XI CIL HID D E	VÉRIN À DOUBLE EFFET	DOUBLE-ACTING CYLINDER
23	912280090	6	CASQ. AUTO-LUB GSM-4044-30	BAGUE AUTOLUBRICANTE	SELF-LUBRICATING BUSHING
24	912280100	2	CASQ. AUTO-LUB GSM-4044-40	BAGUE AUTOLUBRICANTE	SELF-LUBRICATING BUSHING
25	912280150	2	CASQ. AUTO-LUB GSM-5055-50	BAGUE AUTOLUBRICANTE	SELF-LUBRICATING BUSHING
26	912280200	4	CASQ. AUTO-LUB GSM-2528-30	BAGUE AUTOLUBRICANTE	SELF-LUBRICATING BUSHING
27	912280210	2	CASQ. AUTO-LUB GSM-2528-50	BAGUE AUTOLUBRICANTE	SELF-LUBRICATING BUSHING
28	912280060	1	CASQ. AUTO-LUB GSM-3034-30	BAGUE AUTOLUBRICANTE	SELF-LUBRICATING BUSHING
29	912280240	2	CASQ. AUTO-LUB GSM-3034-25	BAGUE AUTOLUBRICANTE	SELF-LUBRICATING BUSHING
30	913194024	1	CAVILHÃO Ø40x250	GOUPILLE	FIXING PIN
31	911134393	1	PORCA M39x3-38 CAST. CL.8	ÉCROU CRENELÉ M39x3-38	CASTLE NUT M39x3-38
32	913225068	2	TROCO EM AÇO 5x80	GOUPILLE FENDUE	SPILT COTTER PIN
33	904625210	1	CAV. C/ ANILHA QD 25x110	GOUPILLE 25x109	PIN 25x109
34	913211060	4	CAVILHA DE ELO Ø 6	GOUPILLE Á ANNEAU ROBOTANT 6	LINCH PIN 6
35	904525110	1	CAV. C/ARGOLA Ø25x110	GOUPILLE	LINCH PIN
36	904625277	1	CAV. C/ ANILHA QD 25x277	GOUPILLE 25x277	PIN 25x277
37	913020940	1	CAV. ELAST 6x40	GOUPILLE ÉLASTIQUE	TENSION PIN
38	913195023	1	CAVILHÃO Ø 50x237	GOUPILLE	FIXING PIN
39	911138453	1	PORCA DE CASTELO M45x3	ÉCROU CRENELÉ M45x3 Cl.8	SLOTTED NUT M45x3
40	913194018	1	CAVILHÃO Ø40x180	GOUPILLE	FIXING PIN

Fig. Ref. N°	Referência Code Codigo	Quantidade/Alfaia Quantité/Machine Quantity/Implement	Descrição	Designation	Description
		NA2CP 24-24"			
41	913194019	2	CAVILHÃO Ø40x190	GOUPILLE	FIXING PIN
42	911151390	3	PORCA S AUTOBL M39x3 ZN	ÉCROU INDESSERRABLE M39x3 ZN	SELF LOCKING NUT M39x3 ZN
43	904625150	1	CAV. C/ ANILHA QD 30x139	GOUPILLE 30x139	PIN 30x139
44	904625110	1	CAV. C/ ANILHA QD 30x129	GOUPILLE 30x129	PIN 30x129
45	220113320	1	DESCANSO DAS MANG DPL QUINADO	APPUI DE LES TUYAU	HID. HOSE RESTER
46	912020100	2	ANILHA MOLA 10 ZN	RONDELLE ÉLASTIQUE 10	SPRING WASHER 10
47	910111030	2	PARAF. CS RT 8.8 M10x30	VIS HEXAGONAL	HEXAGONAL SCREW
48	939020121	4	PAR MAXILAS DUPLAS 17x17	BRIDGE DE LE TUYAU	HOSE CLAMP
49	939020221	3	PLACA SUPERIOR 17x17	PLAQUE DE LE BRIDGE DE TUYAU	CLAMP'S METAL PLATE
50	912020080	3	ANILHA MOLA 8 ZN	RONDELLE ÉLASTIQUE 8	SPRING WASHER 8
51	910100835	2	PARAF. CS 8.8 M8x35	VIS HEXAGONAL	HEXAGONAL SCREW
52	911118100	2	PORCA SEXT. 8 M10	ÉCROU HEXAGONAL M10	HEXAGONAL NUT M10
53	910100858	1	PARAF. CS 8.8 M8x70	VIS HEXAGONAL	HEXAGONAL SCREW
54	930309740	2	MANG 3/8"x3600 C3/8F+P1/2M-VR	TUYAU À HAUTE	HIGH PRESSURE HOSE
55	972520590	1	SUPORTE DE CAVILHAS	SUPPORT DE GOUPILLE	PIN HOLDER
56	990216710	4	AUTOC. GANCHO	AUTOC. CROCHET	HOOK STICKER
57	990200010	1	CH. IDENT. ALF. AG. MONTADAS	PLAQUE D'IDENTIFICATION	IDENTIFICATION PLATE
58	990150011	1	ETIQ.PREV.FORÇA LAT./AFAST.GRAD	ETIQUETTE DE PREVENTION	SAFETY STICKER
59	990150008	1	ETIQ.PREV.PERIG.VAR./CONS.MANU	ETIQUETTE DE PREVENTION	SAFETY STICKER
60	990217675	1	AUTOC. GALUCHO 50x500 AZUL	AUTOC. GALUCHO 50x500 BLEU	STICKER GALUCHO 50x500 BLUE
61	990217795	1	AUTOCOLANTE NA2CP 24	AUTOCOLLANT NA2CP 24	STICKER NA2CP 24
62	990141220	8	ETIQ. PONTO P/ LUBRIFICAÇÃO	ETIQUETTE LUBRIF.	LUBRIF. STICKER

 INDÚSTRIAS METALOMECÂNICAS, S.A. S. JOÃO DAS LAMPAS - PORTUGAL	Exec.	LEANDRO	Verif.		GRADE NA2CP 24-24" DRF	Série	NA2CP
	Data	24-Ago-16	Data			Cód.	22106CP03

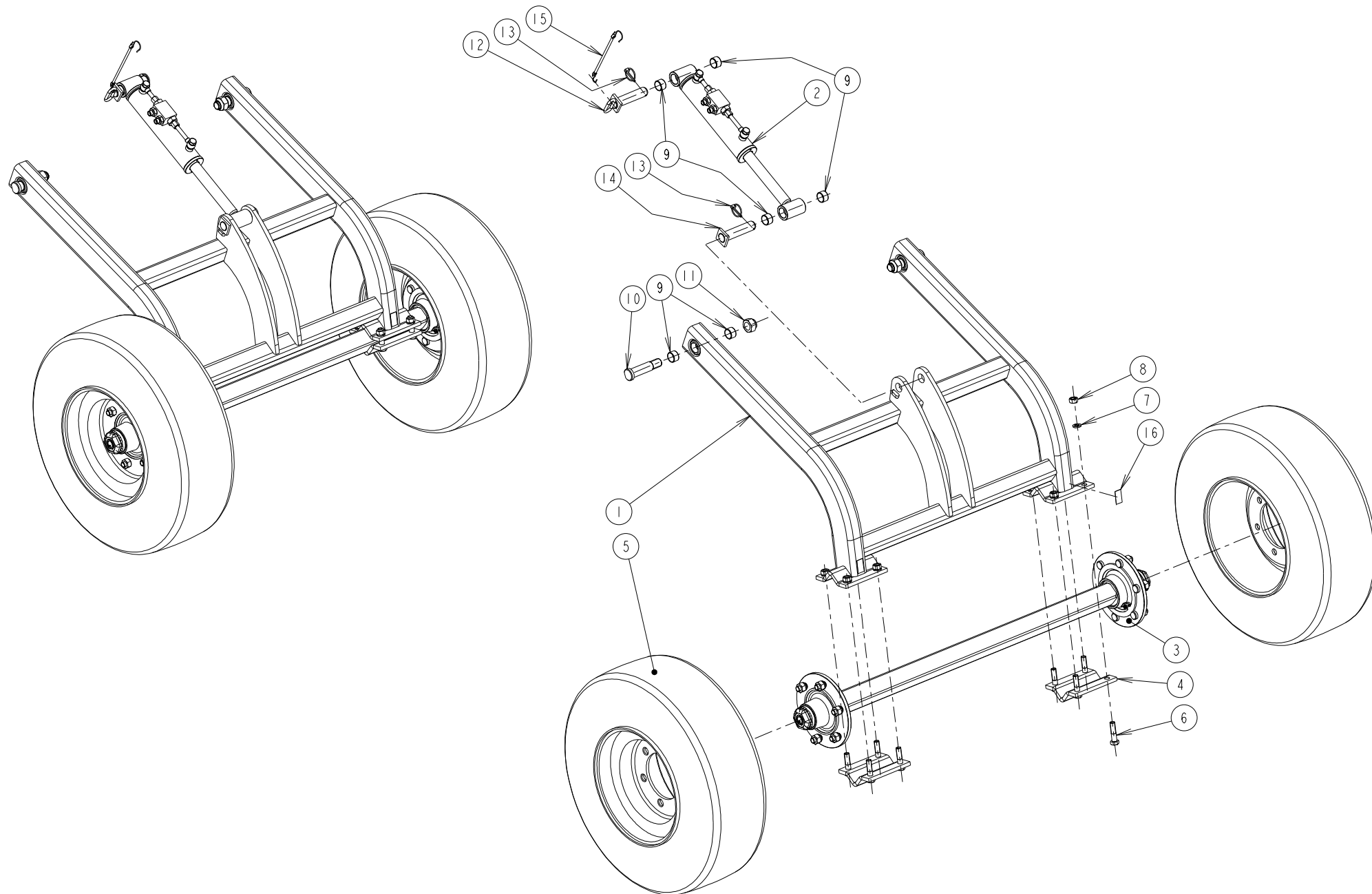


Exec.	LEANDRO	Verif.	Alter.
Data	24-Ago-16	Data	Data

GRADE NA2CP 24-24" DRF

Série	NA2CP
Cód.	22106CP04

Fig. Ref. N°	Referência Code Codigo	Quantidade/Alfaia Quantité/Machine Quantity/Implement	Descrição	Designation	Description
		NA2CP 24-24"			
1	221002000	1	OFFSET LANÇA	OFFSET TIMON	OFFSET DRAWBAR
2	221002150	1	LANÇA NA2CP	TIMON NA2CP	DRAWBAR NA2CP
3	919268050	1	ENGATE CONJ BBM 7040	BROCHE D'ATTELAGE BBM 7040	HITCH PIN BBM 7040
4	930001081	1	LUBRIFICADOR M8x1 RECTO	GRAISEUR	GREASE NIPPLE
5	931009000	1	60G-205I CIL HIDR D E	VÉRIN À DOUBLE EFFET	DOUBLE-ACTING CYLINDER
6	913194018	1	CAVILHÃO Ø40x180	GOUPILLE	FIXING PIN
7	911151390	1	PORCA S AUTOBL M39x3 ZN	ÉCROU INDESSERRABLE M39x3 ZN	SELF LOCKING NUT M39x3 ZN
8	904530010	1	CAV. C/ ARGOLA Ø30x138	GOUPILLE	LINCH PIN
9	913211060	3	CAVILHA DE ELO Ø 6	GOUPILLE Á ANNEAU ROBOTANT 6	LINCH PIN 6
10	904625140	1	CAV. C/ ANILHA QD 30x120	GOUPILLE 30x120	PIN 30x120
11	904625060	1	CAV. C/ ANILHA QD 30x125	GOUPILLE 30x125	PIN 30x125
12	912000330	1	ANILHA 31-M30	RONDELLE 31-M30	FLAT WASHER 31-M30
13	912280090	2	CASQ. AUTO-LUB GSM-4044-30	BAGUE AUTOLUBRICANTE	SELF-LUBRICATING BUSHING
14	912280240	4	CASQ. AUTO-LUB GSM-3034-25	BAGUE AUTOLUBRICANTE	SELF-LUBRICATING BUSHING
15	912280160	4	CASQ. AUTO-LUB GSM-3034-20	BAGUE AUTOLUBRICANTE	SELF-LUBRICATING BUSHING
16	913193013	2	CAVILHÃO Ø30x127	GOUPILLE	FIXING PIN
17	911150270	2	PORCA S AUTOBL M27 ZN	ÉCROU INDESSERRABLE M27 ZN	SELF LOCKING NUT M27 ZN
18	990141220	1	ETIQ. PONTO P/ LUBRIFICAÇÃO	ETIQUETTE LUBRIF.	LUBRIF. STICKER



Exec.	LEANDRO	Verif.		Alter.	
Data	24-Ago-16	Data		Data	

GRADE NA2CP 24-24" DRF

Série	NA2CP
Cód.	22106CP06

Fig. Ref. N°	Referência Code Codigo	Quantidade/Alfaia Quantité/Machine Quantity/Implement	Descrição	Designation	Description
		NA2CP 24-24"			
1	221000850	1	CONJ. BALANCIM	BRAS DE FIXATION DU ROULEAU	RETENTION ARM OF THE ROLL
2	931009000	1	60G-205I CIL HIDR D E	VÉRIN À DOUBLE EFFET	DOUBLE-ACTING CYLINDER
3	971910110	1	EIXO COMPLETO QD60x1300	ESSIEU 60x1300	WHEEL AXLE 60x1300
4	242430100	2	BRAÇADEIRA 130x110	BRIDE 130x110	CLAMP 130x110
5	971151531	2	PNEU C/JANTE 10.0/75-15.3 12T	ROUE 10/75-15.3 12 T	WHEEL 10/75-15.3 12 PLY
6	910101656	8	PARAF. CS 8.8 M16x65	VIS HEXAGONAL	HEXAGONAL SCREW
7	912020160	8	ANILHA MOLA 16 ZN	RONDELLE ÉLASTIQUE 16	SPRING WASHER 16
8	911118160	8	PORCA SEXT. 8 M16	ÉCROU HEXAGONAL M16	HEXAGONAL NUT M16
9	912280160	8	CASQ. AUTO-LUB GSM-3034-20	BAGUE AUTOLUBRICANTE	SELF-LUBRICATING BUSHING
10	913193013	2	CAVILHÃO Ø30x127	GOUPILLE	FIXING PIN
11	911150270	2	PORCA S AUTOBL M27 ZN	ÉCROU INDESSERRABLE M27 ZN	SELF LOCKING NUT M27 ZN
12	904530050	1	CAV. C/ ARGOLA Ø30x120 ZN	GOUPILLE	LINCH PIN
13	913211060	2	CAVILHA DE ELO Ø6	GOUPILLE Á ANNEAU ROBOTANT 6	LINCH PIN 6
14	904625140	1	CAV. C/ ANILHA QD 30x120	GOUPILLE 30x120	PIN 30x120
15	972520590	1	SUPORTE DE CAVILHAS	SUPPORT DE GOUPILLE	PIN HOLDER
16	990141220	2	ETIQ. PONTO P/ LUBRIFICAÇÃO	ETIQUETTE LUBRIF.	LUBRIF. STICKER


 INDÚSTRIAS METALOMECÂNICAS, S.A. S. JOÃO DAS LAMPAS - PORTUGAL	Exec.	LEANDRO	Verif.		GRADE NA2CP 24-24" DRF	Série	NA2CP
	Data	24-Ago-16	Data			Cód.	22106CP07

Fig. Ref. N°	Referência Code Codigo	Quantidade/Alfaia Quantité/Machine Quantity/Implement NA2CP 24-24"	Descrição	Designation	Description
1	221000950	3	CONJ. PILAR TRASEIRO	PILIER ARRIÈRE	PILLAR REAR
2	223510930	2	ANILHA BLOQ. ROLO DISCOS	ANNEAU DE BLOCAGE	BLOCKING RING
3	223940140	1	VEIO DOS DISCOS 1285	AXE DE ROTATION DES DISQUES	DISC ROTARY AXLE
4	800102880	2	CHUMACEIRA S/FL. 38-9" D CX.32	PALIER	BEARING
5	800110100	2	FLANG CONC P/ CHUM 32-9"	FLASQUE CONCAVE	CONCAVE FLANGE
6	800120100	2	FLANG CONV P/ CHUM 32-9"	FLASQUE CONVEXE	CONVEX FLANGE
7	800200270	3	SEPARADOR 9" P/VEIO 38 c/226,9	ENTRETOISE	DISC SPACER
8	800240270	1	FLANGE CONCAVA QD38x9"	FLASQUE CONCAVE	CONCAVE FLANGE
9	800250270	1	FLANGE CONVEXA QD38x9"	FLASQUE D'EXTRÉMITÉ CONVEXE	CONVEX FLANGE
10	811032460	6	DISCO REC. 610x6x40-24"	DISQUE CRENELÉ	NOTCHED DISC
11	910111635	2	PARAF. CS RT 8.8 M16x35	VIS HEXAGONAL	HEXAGONAL SCREW
12	911119395	2	PORCA M39x3-38 SEXT.55	ÉCROU HEXAGONAL M39x3	HEXAGONAL NUT M39x3
13	912020160	2	ANILHA MOLA 16 ZN	RONDELLE ÉLASTIQUE 16	SPRING WASHER 16

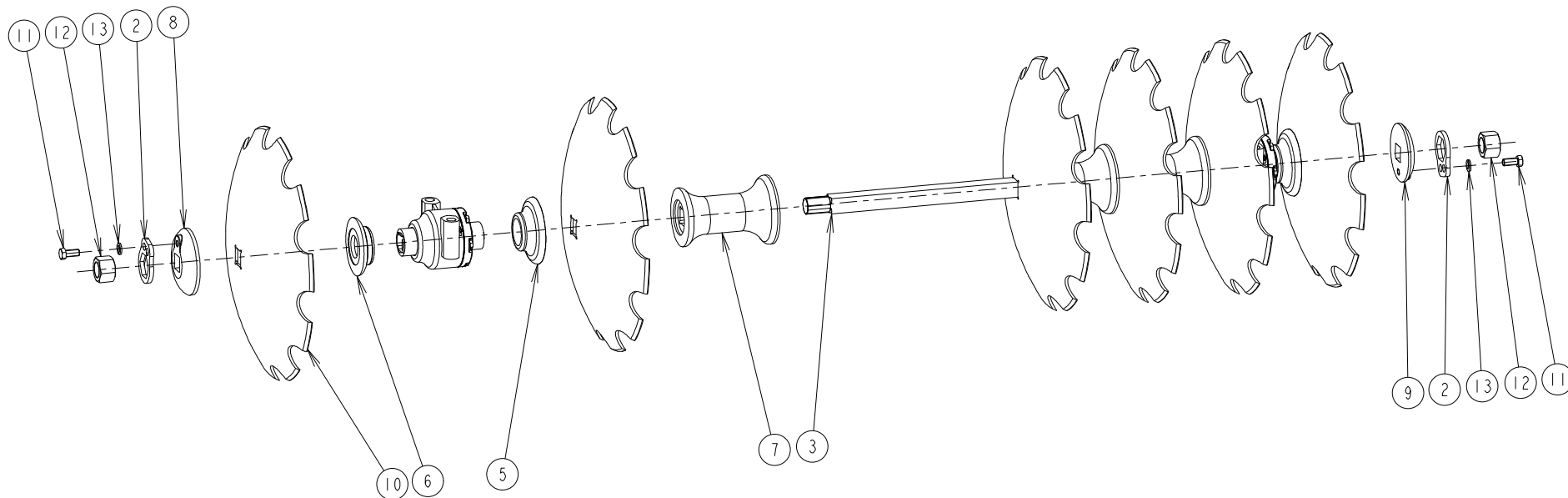


Fig. Ref. N°	Referência Code Codigo	Quantidade/Alfaia Quantit�/Machine Quantity/Implement	Descri�o	Designation	Description
		NA2CP 24-24"			
1	223510930	2	ANILHA BLOQ. ROLO DISCOS	ANNEAU DE BLOCAGE	BLOCKING RING
2	223940140	1	VEIO DOS DISCOS 1285	AXE DE ROTATION DES DISQUES	DISC ROTARY AXLE
3	800102780	2	CHUMACEIRA S/FL. 38-9" T CX.32	PALIER	BEARING
4	800110100	2	FLANG CONC P/ CHUM 32-9"	FLASQUE CONCAVE	CONCAVE FLANGE
5	800120100	2	FLANG CONV P/ CHUM 32-9"	FLASQUE CONVEXE	CONVEX FLANGE
6	800200270	3	SEPARADOR 9" P/VEIO 38 c/226,9	ENTRETOISE	DISC SPACER
7	800240270	1	FLANGE CONCAVA QD38x9"	FLASQUE CONCAVE	CONCAVE FLANGE
8	800250270	1	FLANGE CONVEXA QD38x9"	FLASQUE D'EXTR�MIT� CONVEXE	CONVEX FLANGE
9	811022460	6	DISCO LISO 610x6x40-24"	DISQUE LISSE	PLAIN DISC
10	910111635	2	PARAF. CS RT 8.8 M16x35	VIS HEXAGONAL	HEXAGONAL SCREW
11	911119395	2	PORCA M39x3-38 SEXT.55	�CROU HEXAGONAL M39x3	HEXAGONAL NUT M39x3
12	912020160	2	ANILHA MOLA 16 ZN	RONDELLE �LASTIQUE 16	SPRING WASHER 16

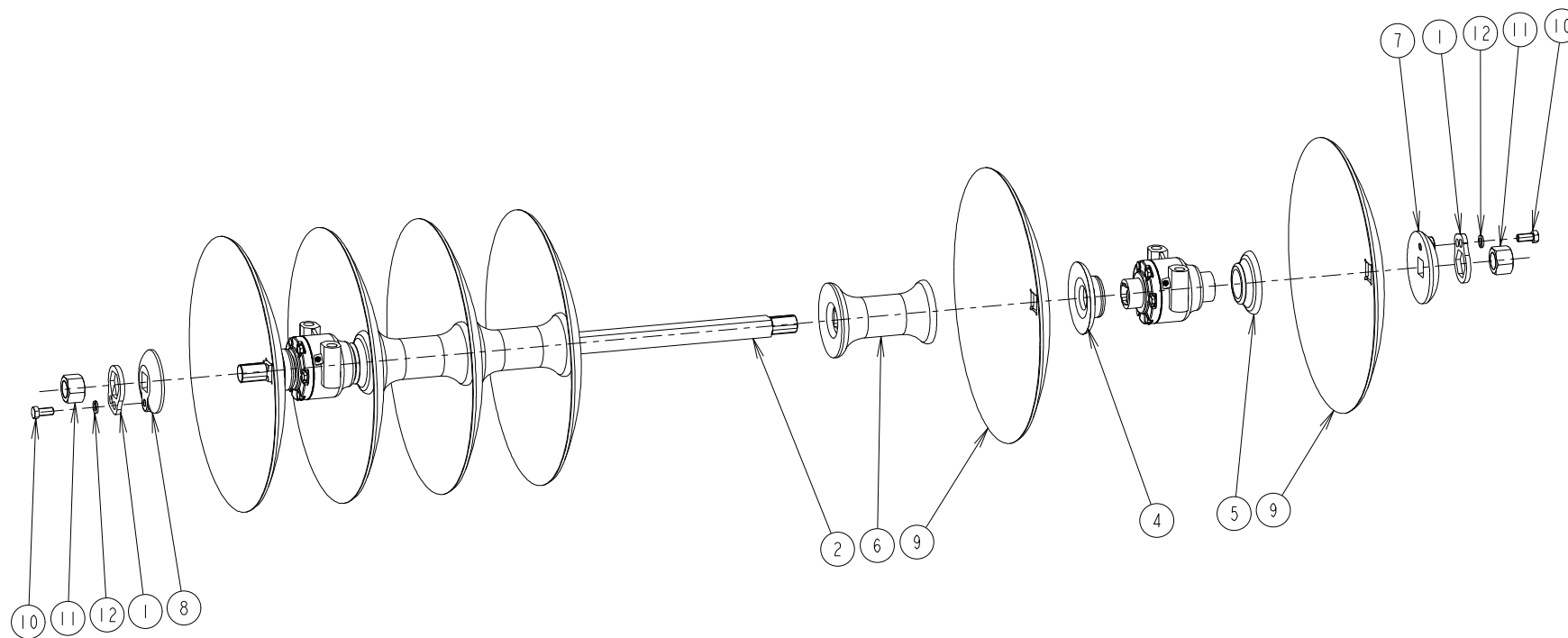


Fig. Ref. N°	Referência Code Codigo	Quantidade/Alfaia Quantité/Machine Quantity/Implement	Descrição	Designation	Description
					NA2CP 24-24"
1	223510930	2	ANILHA BLOQ. ROLO DISCOS	ANNEAU DE BLOCAGE	BLOCKING RING
2	223940140	1	VEIO DOS DISCOS 1285	AXE DE ROTATION DES DISQUES	DISC ROTARY AXLE
3	800102780	2	CHUMACEIRA S/FL. 38-9" T CX.32	PALIER	BEARING
4	800110100	2	FLANG CONC P/ CHUM 32-9"	FLASQUE CONCAVE	CONCAVE FLANGE
5	800120100	2	FLANG CONV P/ CHUM 32-9"	FLASQUE CONVEXE	CONVEX FLANGE
6	800200270	3	SEPARADOR 9" P/VEIO 38 c/226,9	ENTRETOISE	DISC SPACER
7	800240270	1	FLANGE CONCAVA QD38x9"	FLASQUE CONCAVE	CONCAVE FLANGE
8	800250270	1	FLANGE CONVEXA QD38x9"	FLASQUE D'EXTRÉMITÉ CONVEXE	CONVEX FLANGE
9	811022460	5	DISCO LISO 610x6x40-24"	DISQUE LISSE	PLAIN DISC
10	811022467	1	DISCO LISO 610x6x40-24" C/FURO	DISQUE LISSE	PLAIN DISC
11	910111635	2	PARAF. CS RT 8.8 M16x35	VIS HEXAGONAL	HEXAGONAL SCREW
12	911119395	2	PORCA M39x3-38 SEXT.55	ÉCROU HEXAGONAL M39x3	HEXAGONAL NUT M39x3
13	912020160	2	ANILHA MOLA 16 ZN	RONDELLE ÉLASTIQUE 16	SPRING WASHER 16

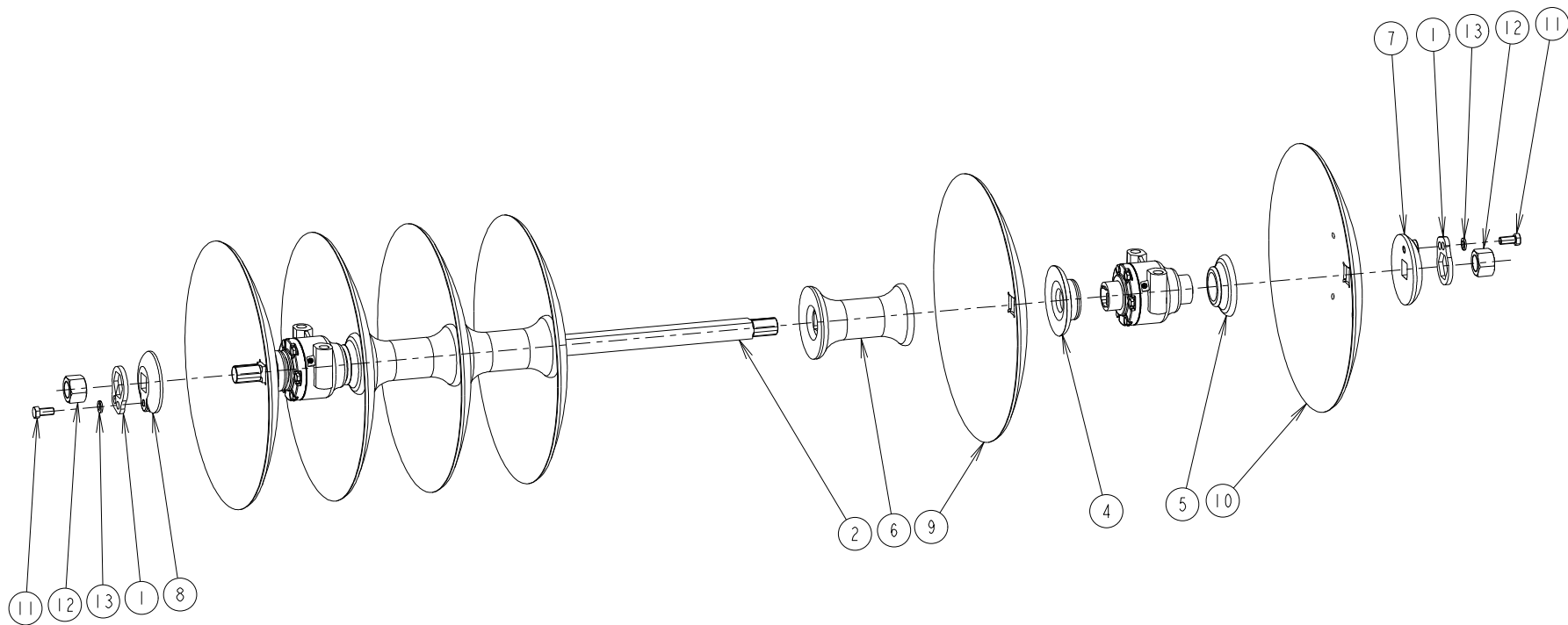


Fig. Ref. N°	Referência Code Codigo	Quantidade/Alfaia Quantité/Machine Quantity/Implement	Descrição	Designation	Description
		NA2CP 24-24"			
1	800101250	1	CAIXA CHUM. 32-9"	BOITE DE PALIER-TRAIN AVANT	BEARING HOUSING FRONT GANG
2	951300395	2	ROL. 395A/394A CÔNICO	ROULEMENT	BEARING
3	800130200	1	COQUILHA 38-9" Ø80	FOURREAU	INGOD MOULD
4	932206510	4	RETENTOR 65x85x10	JOINT	RETAINER
5	932301222	1	JUNTA CIRCUL 122x0.15	JOINT PLAT	ROUND GASKET
6	932301224	2	JUNTA CIRCUL 122x0.4	JOINT PLAT	ROUND GASKET
7	800101140	1	TAMPA DA CHUM. QD.33-9"	FLASQUE DE PALIER	SHEAT CAP
8	912020100	6	ANILHA MOLA 10 ZN	RONDELLE ÉLASTIQUE 10	SPRING WASHER 10
9	910111025	6	PARAF. CS RT 8.8 M10x25	VIS HEXAGONAL	HEXAGONAL SCREW
10	930001101	1	LUBRIFICADOR M10x1 RECTO	GRAISEUR	GREASE NIPPLE
11	910901110	1	PARAF. S/ CAB. S.I. M10x1-10 DIN916	VIS SANS TETE SIX PANS M10x1-16 DIN916	INT. HEX. SOCKET SET SCREW M10x1-16 DIN916

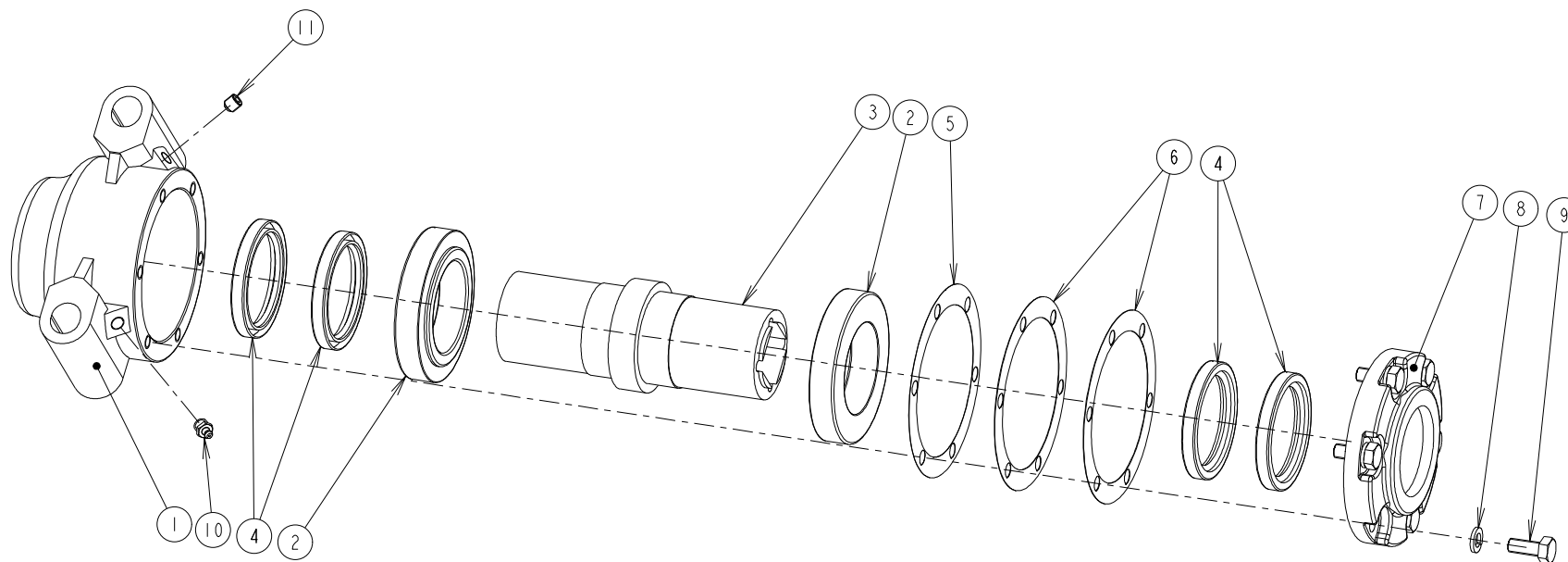
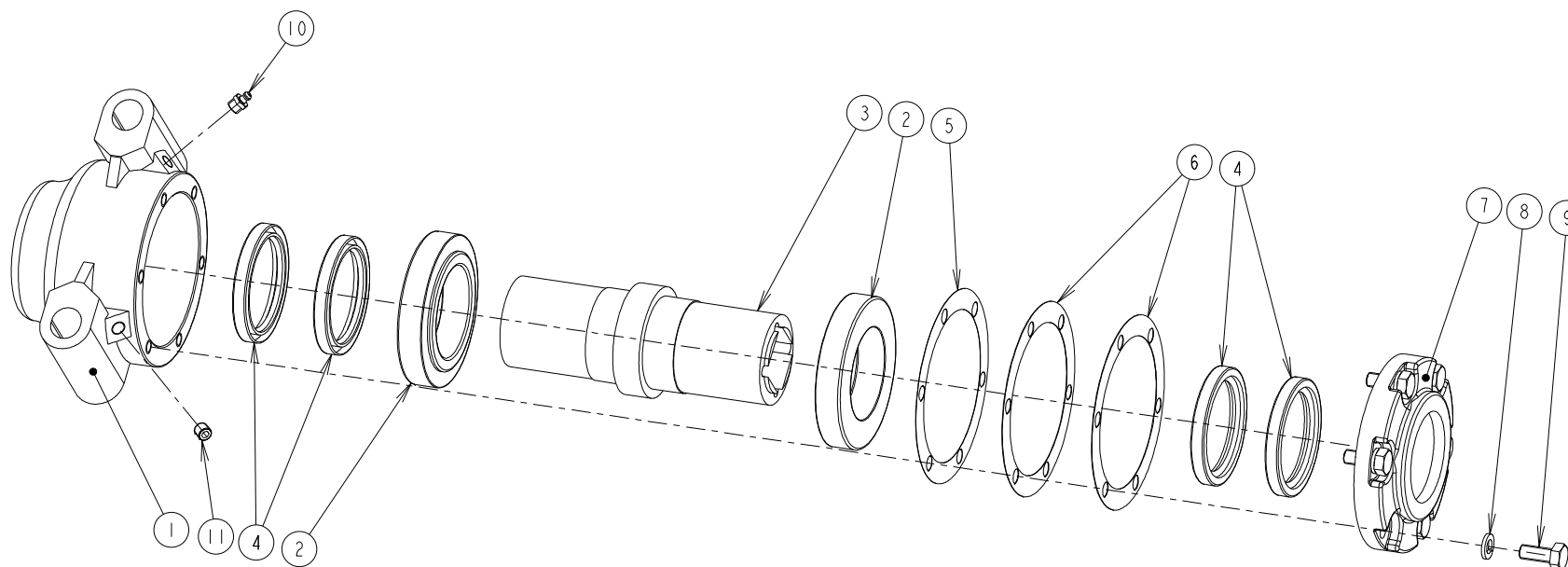


Fig. Ref. N°	Referência Code Codigo	Quantidade/Alfaia Quantité/Machine Quantity/Implement	Descrição	Designation	Description
					NA2CP 24-24"
1	800101250	1	CAIXA CHUM. 32-9"	BOITE DE PALIER-TRAIN AVANT	BEARING HOUSING FRONT GANG
2	951300395	2	ROL. 395A/394A CÔNICO	ROULEMENT	BEARING
3	800130200	1	COQUILHA 38-9" Ø80	FOURREAU	INGOD MOULD
4	932206510	4	RETENTOR 65x85x10	JOINT	RETAINER
5	932301222	1	JUNTA CIRCUL 122x0.15	JOINT PLAT	ROUND GASKET
6	932301224	2	JUNTA CIRCUL 122x0.4	JOINT PLAT	ROUND GASKET
7	800101140	1	TAMPA DA CHUM. QD.33-9"	FLASQUE DE PALIER	SHEAT CAP
8	912020100	6	ANILHA MOLA 10 ZN	RONDELLE ÉLASTIQUE 10	SPRING WASHER 10
9	910111025	6	PARAF. CS RT 8.8 M10x25	VIS HEXAGONAL	HEXAGONAL SCREW
10	930001101	1	LUBRIFICADOR M10x1 RECTO	GRAISEUR	GREASE NIPPLE
11	910901110	1	PARAF. S/ CAB. S.I. M10x1-10 DIN916	VIS SANS TETE SIX PANS M10x1-16 DIN916	INT. HEX. SOCKET SET SCREW M10x1-16 DIN916



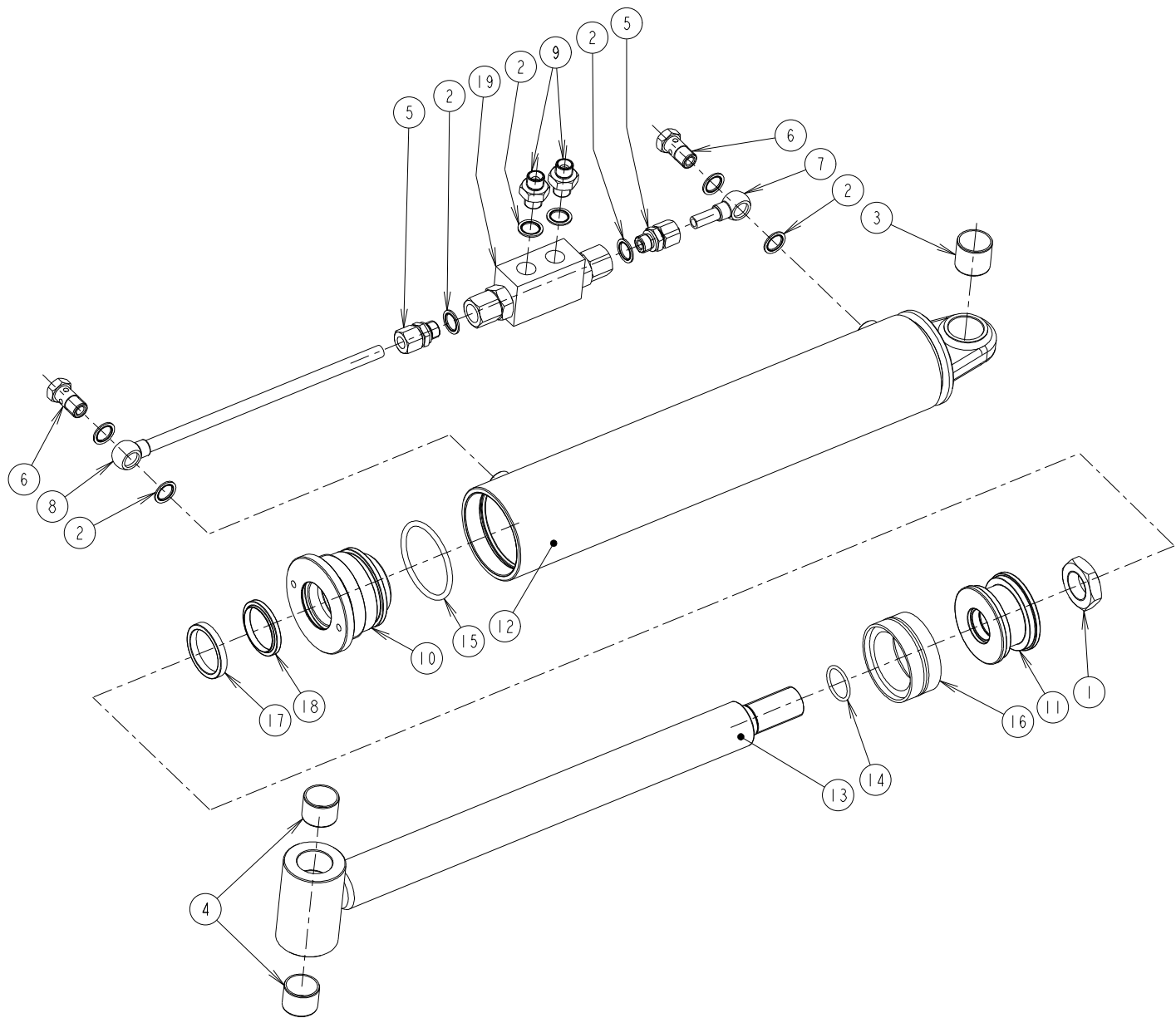



Fig. Ref. N°	Referência Code Codigo	Quantidade/Alfaia Quantité/Machine Quantity/Implement NA2CP 24-24"	Descrição	Designation	Description
1	911119300	1	PORCA SEXT. REB. M30x2	ÉCROU HEXAGONAL M30x2	HEXAGONAL NUT M30x2
2	912068167	8	ANILHA VED. 16.7x24.x1.5	RONDELLE D'ÉTAINCHEITÉ	SEALING WASHER
3	912280060	1	CASQ. AUTO-LUB GSM-3034-30	BAGUE AUTOLUBRICANTE	SELF-LUBRICATING BUSHING
4	912280240	2	CASQ. AUTO-LUB GSM-3034-25	BAGUE AUTOLUBRICANTE	SELF-LUBRICATING BUSHING
5	930541120	2	UNIÃO DL12 DIN 2353	ÉCROU DE RAPPEL Ø12	MALE CONECTION Ø12
6	930609212	2	PARAF. REF. 3EB672-12-21	VIS	BOLT
7	930609270	1	BANJO 3/8"xØ12-50	BANJO	BANJO
8	930609272	1	BANJO 3/8"xØ12-300	BANJO	BANJO
9	930623839	2	UNIÃO DUP M 3/8 BSP-FURO 2	UNION MASCULIN 3/8"BSP-TROU Ø2	MALE UNION 3/8"BSP-HOLE Ø2
10	930965011	1	TAMPA DO CILINDRO 80G	CULASSE 80G	80G END COVER
11	930970140	1	PORCA ÊMBOLO GAL-80G	PISTON 80G	80G NUT
12	931014810	1	CORPO DO CIL 80G-380 - CASQ. AUTO-LUB	CORPS DU VÉRIN	CYLINDER BODY
13	931014830	1	HASTE Ø45x572 - CASQ. AUTO-LUB	ARBRE DE TIGE	PISTON ROCKER
14	932003030	1	O'RING 3x30 90 SHORE A	JOINT TORIQUE	O'RING
15	932006070	1	O'RING 5x70 90 SHORE A	JOINT TORIQUE	O'RING
16	932110800	1	VEDANTE 80x60x22,4 A/DUP	JOINT	SEAL
17	932120457	1	VEDANTE 45/55x7,3 HALLITE-605	JOINT DE LA TIGE	ROD SEAL
18	932240451	1	LABIO RASPADOR 45x55x5x7	RÂCLEUR	SCRAPER
19	933210050	1	VÁLVULA DUPL.RET.HID.VSO-DE-L 3/8"	SOUPAPE DE RÉTENUJE HYDRAULIQUE	HYDRAULIC RETAINING VALVE

 INDÚSTRIAS METALOMECÂNICAS, S.A. S. JOÃO DAS LAMPAS - PORTUGAL	Exec.	LEANDRO	Verif.	Alter.	80G-380XI CIL. HIDR. D. E. (931014800)	Série	NA2CP
	Data	24-Ago-16	Data	Data		Cód.	22106CP14

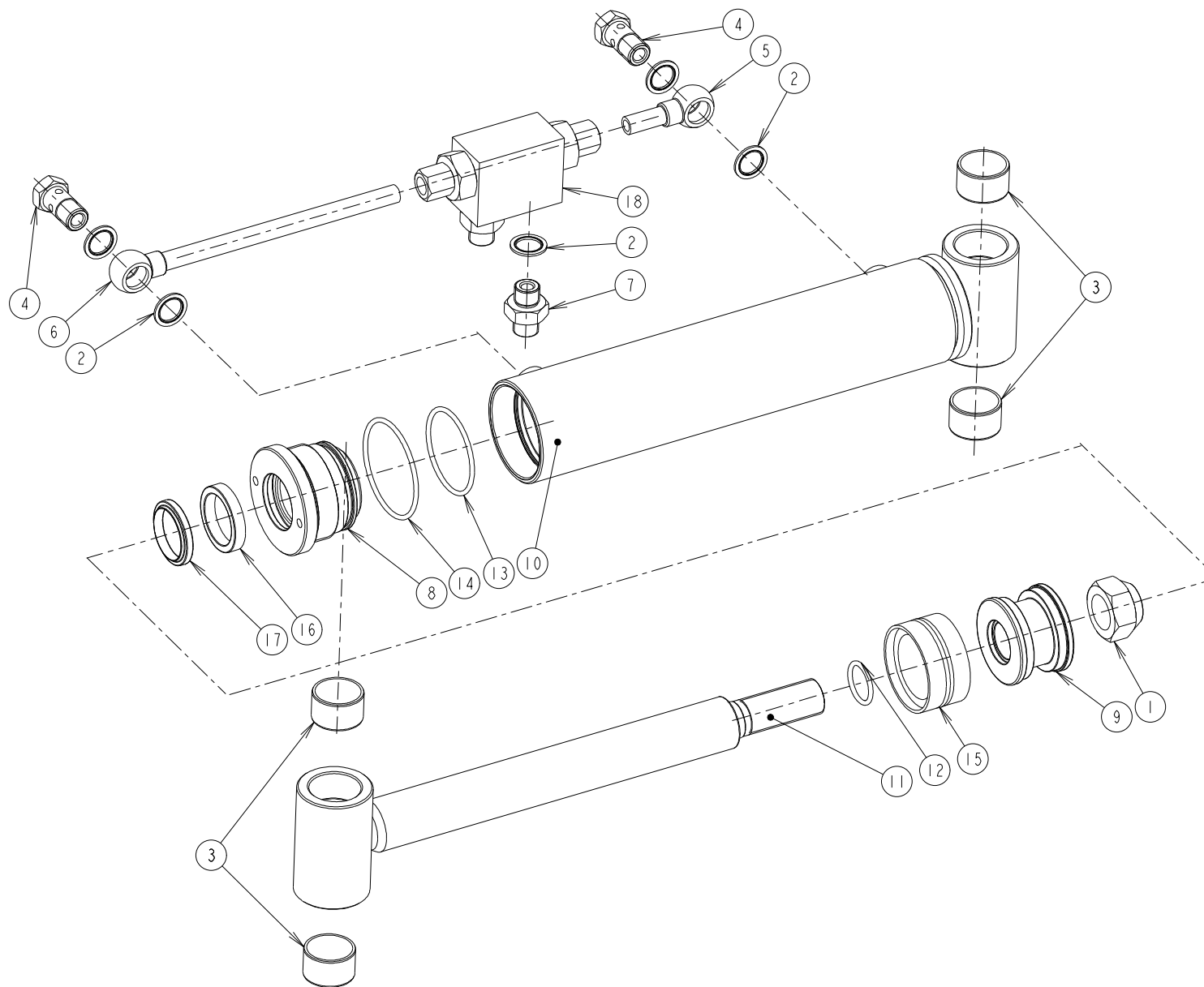


Fig. Ref. N°	Referência Code Codigo	Quantidade/Alfaia Quantité/Machine Quantity/Implement	Descrição	Designation	Description
		NA2CP 24-24"			
1	911151240	1	PORCA S AUTOBL M24x2 ZN	ÉCROU INDESSERRABLE M24x2 ZN	SELF LOCKING NUT M24x2 ZN
2	912068167	6	ANILHA VED. 16.7x24.x1.5	RONDELLE D'ÉTAINCHEITÉ	SEALING WASHER
3	912280160	4	CASQ. AUTO-LUB GSM-3034-20	BAGUE AUTOLUBRICANTE	SELF-LUBRICATING BUSHING
4	930609212	2	PARAF. REF. 3EB672-12-21	VIS	BOLT
5	930609270	1	BANJO 3/8"xØ12-50	BANJO	BANJO
6	930609271	1	BANJO 3/8"xØ12-200	BANJO	BANJO
7	930623839	2	UNIÃO DUP M 3/8 BSP-FURO 2	UNION MASCULIN 3/8"BSP-TROU Ø2	MALE UNION 3/8"BSP-HOLE Ø2
8	930965018	1	TAMPA DO CILINDRO 60Gx50	CULASSE 60Gx50	60Gx50 END COVER
9	930970120	1	PORCA ÊMBOLO GAL-60G	PISTON 60G	60G NUT
10	931009010	1	CORPO DO CILINDRO 60G-205 - CASQ. AUTO-LUB	CORPS DU VÉRIN	CYLINDER BODY
11	931009030	1	HASTE Ø35x361.5 - CASQ. AUTO-LUB	ARBRE DE TIGE	PISTON ROCKER
12	932003024	1	O'RING 3x24 90 SHORE A	JOINT TORIQUE	O'RING
13	932003054	1	O'RING 3x54 90 SHORE A	JOINT TORIQUE	O'RING
14	932003063	1	O'RING 3x63 90 SHORE A	JOINT TORIQUE	O'RING
15	932110601	1	VEDANTE 60x44x18,5 A/DUP	JOINT	SEAL
16	932120358	1	VEDANTE 35x45x8	JOINT DE LA TIGE	ROD SEAL
17	932240351	1	LABIO RASPADOR 35x43x5x7	RÂCLEUR	SCRAPER
18	933210042	1	VÁLV DUPL RET HIDR 27-3/8"x12	SOUPAPE DE RÉTENUÉ HYDRAULIQUE	HYDRAULIC RETAINING VALVE


 INDÚSTRIAS METALOMECÂNICAS, S.A. S. JOÃO DAS LAMPAS - PORTUGAL	Exec.	LEANDRO	Verif.	Alter.	60G-205I CIL. HIDR. D. E. (931009000)	Série	NA2CP
	Data	24-Ago-16	Data	Data		Cód.	22106CP16

Fig. Ref. N°	Referência Code Codigo	Quantidade/Alfaia Quantité/Machine Quantity/Implement	Descrição	Designation	Description
					NA2CP 24-24"
1	949160100	1	KIT ILUMIN.2000-3000 C/CABO 7M	KIT FEUX 2000-3000	KIT LIGHTS 2000-3000
2	224490890	1	SUPORTE DAS LUZES ESQ	SUPPORT DES LUMIÈRES, GAUCHE	SUPPORT THE LIGHTS LEFT
3	224490900	1	SUPORTE DAS LUZES DRT	SUPPORT DES LUMIÈRES, DROIT	SUPPORT THE LIGHTS RIGHT
4	221001100	1	SUPT. TRIANG. VEIC. LENTO	SUPPORT TRIANGLE	TRIANGLE SUPPORT
5	990223100	1	REFLECTOR TRIA. ENCARNADO S2	RÉFLECTEUR ROUGE	REFLECTOR RED
6	913300516	2	REBITE RÁPIDO 5x16 POP	RIVET 5x16	RIVET 5x16
7	910100845	2	PARAF. CS 8.8 M8x45	VIS HEXAGONAL	HEXAGONAL SCREW
8	910110820	1	PARAF. CS RT 8.8 M8x20	VIS HEXAGONAL	HEXAGONAL SCREW
9	910470820	2	PARAF. 4.6 M8x20 Zn C/ ORELHAS	VIS À OREILLES 4.6 M8x20 Zn	WING SCREW 4.6 M8x20 Zn
10	912020080	5	ANILHA MOLA 8 ZN	RONDELLE ÉLASTIQUE 8	SPRING WASHER 8
11	911118080	5	PORCA SEXT. 8 M8	ÉCROU HEXAGONAL M8	HEXAGONAL NUT M8

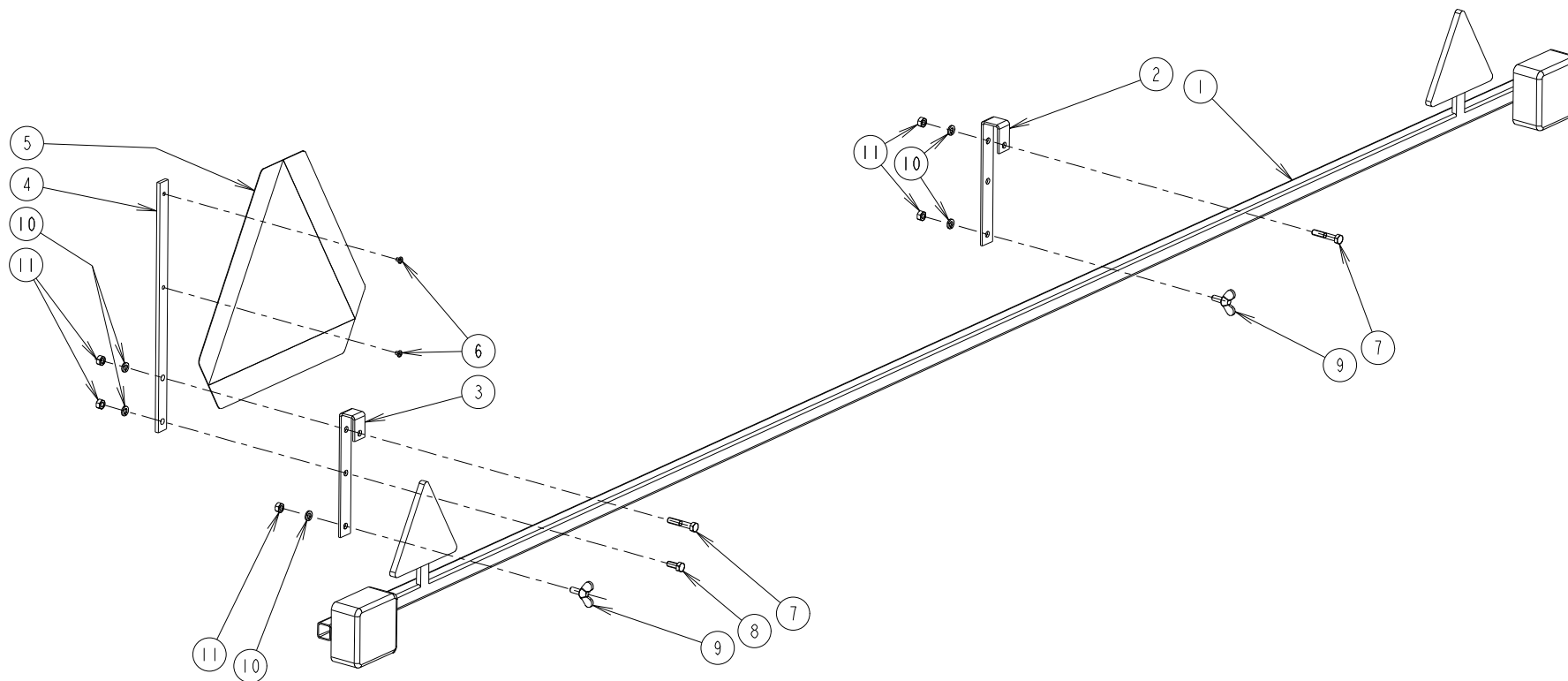


Fig. Ref. N ^o	Referência Code Codigo	Quantidade/Alfaia Quantité/Machine Quantity/Implement	Descrição	Designation	Description
					NA2CP 24-24"
1	800209040	1	SEPARADOR 9" P/ QD38	ENTRETOISE	DISC SPACER
2	811022016	1	DISCO LISO 510x4x29-20" C/ FURO	DISQUE LISSE	PLAIN DISC
3	910111230	8	PARAF. CS RT 8.8 M12x30	VIS HEXAGONAL	HEXAGONAL SCREW
4	912020120	16	ANILHA MOLA 12 ZN	RONDELLE ÉLASTIQUE 12	SPRING WASHER 12
5	911118120	16	PORCA SEXT. 8 M12	ÉCROU HEXAGONAL M12	HEXAGONAL NUT M12
6	221003030	1	ACRESCENTE PARA RASPADEIRA	SUPPORT DE DECROTTOIR	DISC SCRAPER SUPPORT
7	221003050	2	CONJ. RASPADEIRA DISCO APAG.	DESCROTTOIR TRAIN ARRIÈRE	DISC SCRAPER, REAR GANG
8	915041274	2	BRAÇAD. RECT. M12x47x74	BOULON EN "U" M12x47x74	U BOLT M12x47x74
9	915041284	2	BRAÇAD. RECT. M12x47x84	BOULON EN "U" M12x47x84	U BOLT M12x47x84

