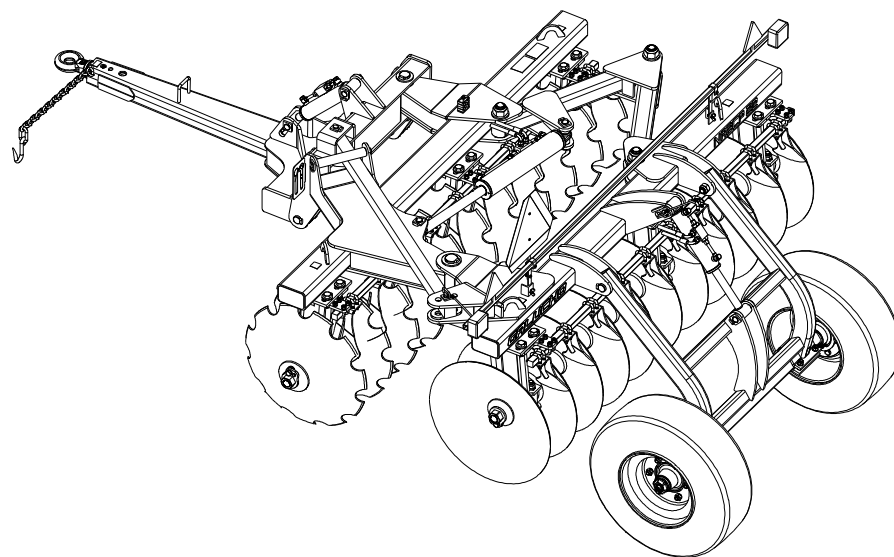




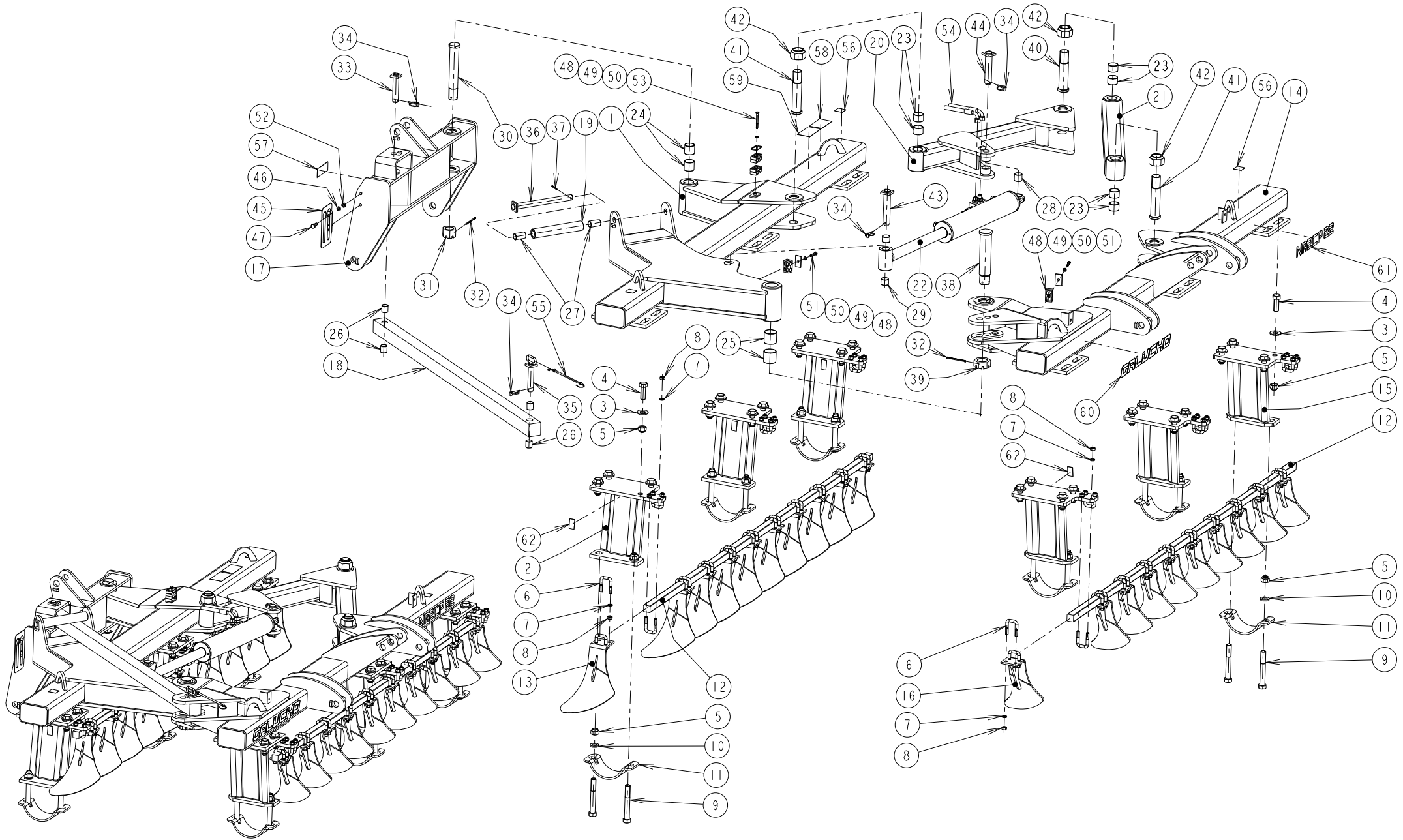
GALUCHO

**CATÁLOGO DE PEÇAS
LISTE DE PIÈCES DE RECHANGE
SPARE PART'S LIST**

GRADE NA2CP 22-26" DRF



**GRADE DE DISCOS REBOCADA OFFSET EM "V"
PULVÉRISSEURS TRÂINÉS EN "V"
TRAILLED DISC HARROWS IN "V"**




| | | | |
|-------|-----------|--------|--------|
| Exec. | LEANDRO | Verif. | Alter. |
| Data | 24-Ago-16 | Data | Data |

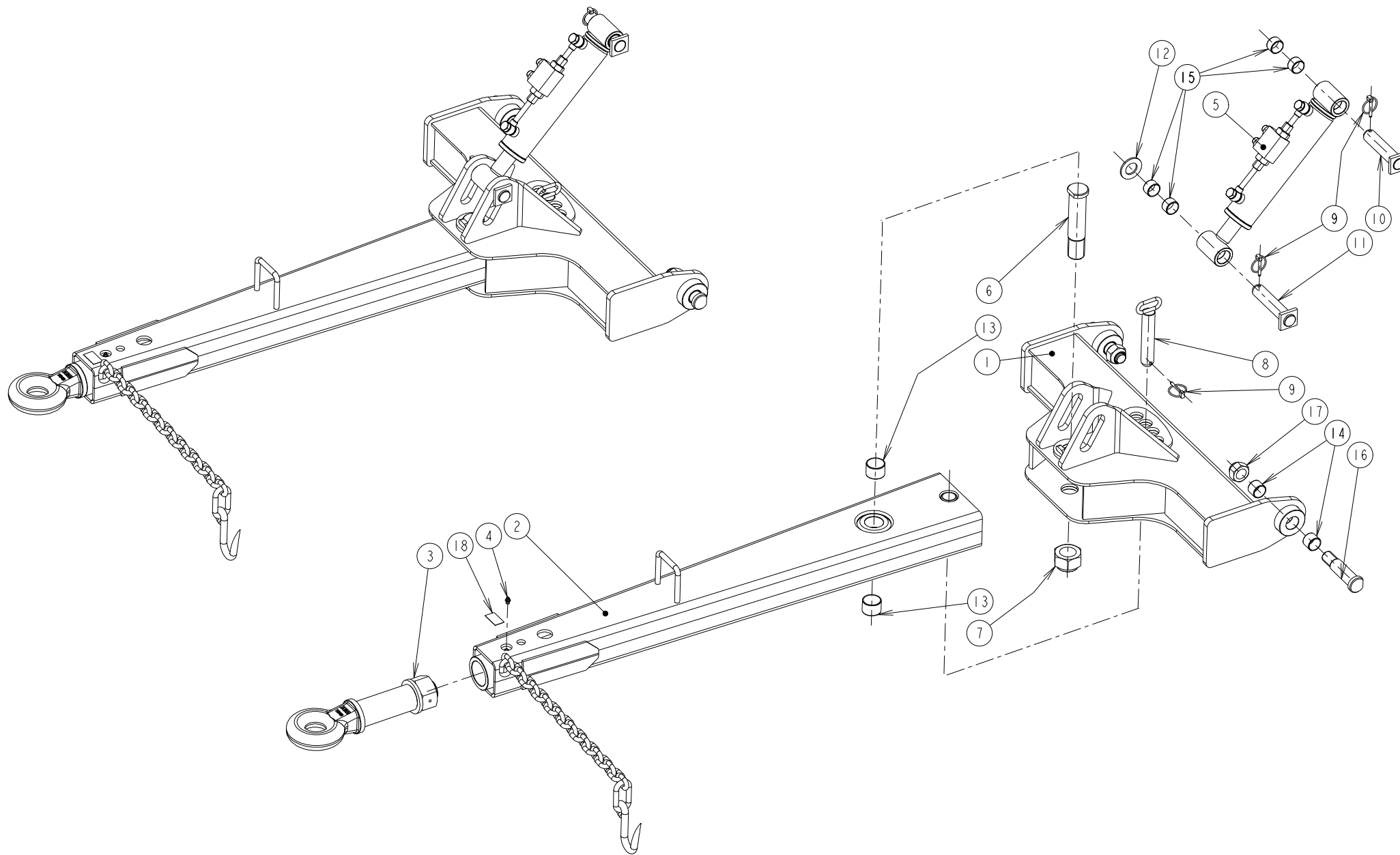
GRADE NA2CP 22-26" DRF

| | |
|-------|-----------|
| Série | NA2CP |
| Cód. | 22105CP01 |

| Fig. Ref. N° | Referência Code Codigo | Quantidade/Alfaia Quantité/Machine Quantity/Implement NA2CP 22-26" | Descrição | Designation | Description |
|--------------|------------------------|---|------------------------------|------------------------------|----------------------------|
| 1 | 221040010 | 1 | QUADRO DIANTEIRO 22 | TRAIN DE DISQUES AVANT 22 | FRONT GANG 22 |
| 2 | 221000920 | 3 | CONJ. PILAR DIANTEIRO | PILIER AVANT | PILLAR FRONT |
| 3 | 912012404 | 24 | ANILHA REF Ø24,5x50x4 | RONDELLE | FLAT WASHER |
| 4 | 910112260 | 24 | PARAF. CS RT 8.8 M22x60 | VIS HEXAGONAL | HEXAGONAL SCREW |
| 5 | 911150220 | 36 | PORCA S AUTOBL M22 ZN | ÉCROU INDESSERRABLE M22 ZN | SELF LOCKING NUT M22 ZN |
| 6 | 915041274 | 52 | BRAÇAD. RECT. M12x47x74 | BOULON EN "U" M12x47x74 | U BOLT M12x47x74 |
| 7 | 912020120 | 104 | ANILHA MOLA 12 ZN | RONDELLE ÉLASTIQUE 12 | SPRING WASHER 12 |
| 8 | 911118120 | 104 | PORCA SEXT. 8 M12 | ÉCROU HEXAGONAL M12 | HEXAGONAL NUT M12 |
| 9 | 910102282 | 12 | PARAF. CS 8.8 M22x160 | VIS HEXAGONAL | HEXAGONAL SCREW |
| 10 | 912012306 | 12 | ANILHA REF Ø23x40x5 | RONDELLE | FLAT WASHER |
| 11 | 224350090 | 6 | RESG. DA CHUM. QD38 | COQUILLE DE PROTECTION | BEARING WEARING PLATE |
| 12 | 221040460 | 2 | SUP. RASPADEIRA 22 | SUPPORT DE DECROTOIR QD 32 | DISC SCRAPER SUPPORT QD 32 |
| 13 | 221000430 | 10 | CONJ. RASPADEIRA DIANT. | DESCROTTOIR TRAIN AVANT | DISC SCRAPER, FRONT GANG |
| 14 | 221040150 | 1 | CONJ. QUADRO TRASEIRO 22 | TRAIN DE DISQUES ARIERE 22 | REAR GANG 22 |
| 15 | 221000950 | 3 | CONJ. PILAR TRASEIRO | PILIER ARRIÈRE | PILLAR REAR |
| 16 | 221000440 | 10 | CONJ. RASPADEIRA TRAS. | DESCROTTOIR TRAIN ARRIÈRE | DISC SCRAPER, REAR GANG |
| 17 | 221000700 | 1 | CONJ. CAMBOTA NA2CP | BARRE D'ATTELAGE NA2CP | HITCH BAR NA2CP |
| 18 | 221040450 | 1 | REG. DE ABERTURA 22 | REGULATEUR D'OUVERTURE | CLEARANCE REGULATOR |
| 19 | 912112824 | 1 | CASQ. Ø42.4/28x248 AUTO-LUB. | BAGUE | BUSHING |
| 20 | 221040300 | 1 | CONJ. TIRANTE DIANT. 22 | TIRANT AVANT 22 | TIRANT FRONT 22 |
| 21 | 221040400 | 1 | CONJ. TIRANTE TRAS. 22 | TIRANT ARRIÈRE 22 | TIRANT REAR 22 |
| 22 | 931014800 | 1 | 80G-380XI CIL HID D E | VÉRIN À DOUBLE EFFET | DOUBLE-ACTING CYLINDER |
| 23 | 912280090 | 6 | CASQ. AUTO-LUB GSM-4044-30 | BAGUE AUTOLUBRICANTE | SELF-LUBRICATING BUSHING |
| 24 | 912280100 | 2 | CASQ. AUTO-LUB GSM-4044-40 | BAGUE AUTOLUBRICANTE | SELF-LUBRICATING BUSHING |
| 25 | 912280150 | 2 | CASQ. AUTO-LUB GSM-5055-50 | BAGUE AUTOLUBRICANTE | SELF-LUBRICATING BUSHING |
| 26 | 912280200 | 4 | CASQ. AUTO-LUB GSM-2528-30 | BAGUE AUTOLUBRICANTE | SELF-LUBRICATING BUSHING |
| 27 | 912280210 | 2 | CASQ. AUTO-LUB GSM-2528-50 | BAGUE AUTOLUBRICANTE | SELF-LUBRICATING BUSHING |
| 28 | 912280060 | 1 | CASQ. AUTO-LUB GSM-3034-30 | BAGUE AUTOLUBRICANTE | SELF-LUBRICATING BUSHING |
| 29 | 912280240 | 2 | CASQ. AUTO-LUB GSM-3034-25 | BAGUE AUTOLUBRICANTE | SELF-LUBRICATING BUSHING |
| 30 | 913194024 | 1 | CAVILHÃO Ø40x250 | GOUPILLE | FIXING PIN |
| 31 | 911134393 | 1 | PORCA M39x3-38 CAST. CL.8 | ÉCROU CRENELÉ M39x3-38 | CASTLE NUT M39x3-38 |
| 32 | 913225068 | 2 | TROCO EM AÇO 5x80 | GOUPILLE FENDUE | SPILT COTTER PIN |
| 33 | 904625210 | 1 | CAV. C/ ANILHA QD 25x110 | GOUPILLE 25x109 | PIN 25x109 |
| 34 | 913211060 | 4 | CAVILHA DE ELO Ø 6 | GOUPILLE Á ANNEAU ROBOTANT 6 | LINCH PIN 6 |
| 35 | 904525110 | 1 | CAV. C/ARGOLA Ø25x110 | GOUPILLE | LINCH PIN |
| 36 | 904625277 | 1 | CAV. C/ ANILHA QD 25x277 | GOUPILLE 25x277 | PIN 25x277 |
| 37 | 913020940 | 1 | CAV. ELAST 6x40 | GOUPILLE ÉLASTIQUE | TENSION PIN |
| 38 | 913195023 | 1 | CAVILHÃO Ø 50x237 | GOUPILLE | FIXING PIN |
| 39 | 911138453 | 1 | PORCA DE CASTELO M45x3 | ÉCROU CRENELÉ M45x3 Cl.8 | SLOTTED NUT M45x3 |
| 40 | 913194018 | 1 | CAVILHÃO Ø40x180 | GOUPILLE | FIXING PIN |

| Fig. Ref. N° | Referência Code Codigo | Quantidade/Alfaia Quantité/Machine Quantity/Implement | Descrição | Designation | Description |
|--------------|------------------------|---|---------------------------------|------------------------------|-----------------------------|
| | | NA2CP 22-26" | | | |
| 41 | 913194019 | 2 | CAVILHÃO Ø40x190 | GOUPILLE | FIXING PIN |
| 42 | 911151390 | 3 | PORCA S AUTOBL M39x3 ZN | ÉCROU INDESSERRABLE M39x3 ZN | SELF LOCKING NUT M39x3 ZN |
| 43 | 904625150 | 1 | CAV. C/ ANILHA QD 30x139 | GOUPILLE 30x139 | PIN 30x139 |
| 44 | 904625110 | 1 | CAV. C/ ANILHA QD 30x129 | GOUPILLE 30x129 | PIN 30x129 |
| 45 | 220113320 | 1 | DESCANSO DAS MANG DPL QUINADO | APPUI DE LES TUYAU | HID. HOSE RESTER |
| 46 | 912020100 | 2 | ANILHA MOLA 10 ZN | RONDELLE ÉLASTIQUE 10 | SPRING WASHER 10 |
| 47 | 910111030 | 2 | PARAF. CS RT 8.8 M10x30 | VIS HEXAGONAL | HEXAGONAL SCREW |
| 48 | 939020121 | 4 | PAR MAXILAS DUPLAS 17x17 | BRIDGE DE LE TUYAU | HOSE CLAMP |
| 49 | 939020221 | 3 | PLACA SUPERIOR 17x17 | PLAQUE DE LE BRIDGE DE TUYAU | CLAMP'S METAL PLATE |
| 50 | 912020080 | 3 | ANILHA MOLA 8 ZN | RONDELLE ÉLASTIQUE 8 | SPRING WASHER 8 |
| 51 | 910100835 | 2 | PARAF. CS 8.8 M8x35 | VIS HEXAGONAL | HEXAGONAL SCREW |
| 52 | 911118100 | 2 | PORCA SEXT. 8 M10 | ÉCROU HEXAGONAL M10 | HEXAGONAL NUT M10 |
| 53 | 910100858 | 1 | PARAF. CS 8.8 M8x70 | VIS HEXAGONAL | HEXAGONAL SCREW |
| 54 | 930309740 | 2 | MANG 3/8"x3600 C3/8F+P1/2M-VR | TUYAU À HAUTE | HIGH PRESSURE HOSE |
| 55 | 972520590 | 1 | SUPORTE DE CAVILHAS | SUPPORT DE GOUPILLE | PIN HOLDER |
| 56 | 990216710 | 4 | AUTOC. GANCHO | AUTOC. CROCHET | HOOK STICKER |
| 57 | 990200010 | 1 | CH. IDENT. ALF. AG. MONTADAS | PLAQUE D'IDENTIFICATION | IDENTIFICATION PLATE |
| 58 | 990150011 | 1 | ETIQ.PREV.FORÇA LAT./AFAST.GRAD | ETIQUETTE DE PREVENTION | SAFETY STICKER |
| 59 | 990150008 | 1 | ETIQ.PREV.PERIG.VAR./CONS.MANU | ETIQUETTE DE PREVENTION | SAFETY STICKER |
| 60 | 990217675 | 1 | AUTOC. GALUCHO 50x500 AZUL | AUTOC. GALUCHO 50x500 BLEU | STICKER GALUCHO 50x500 BLUE |
| 61 | 990217790 | 1 | AUTOCOLANTE NA2CP 22 | AUTOCOLLANT NA2CP 22 | STICKER NA2CP 22 |
| 62 | 990141220 | 6 | ETIQ. PONTO P/ LUBRIFICAÇÃO | ETIQUETTE LUBRIF. | LUBRIF. STICKER |

| | | | | | | | |
|---|-------|-----------|--------|--------|-------------------------------|-------|-----------|
|  INDÚSTRIAS METALOMECÂNICAS, S.A. S. JOÃO DAS LAMPAS - PORTUGAL | Exec. | LEANDRO | Verif. | Alter. | GRADE NA2CP 22-26" DRF | Série | NA2CP |
| | Data | 24-Ago-16 | Data | Data | | Cód. | 22105CP03 |




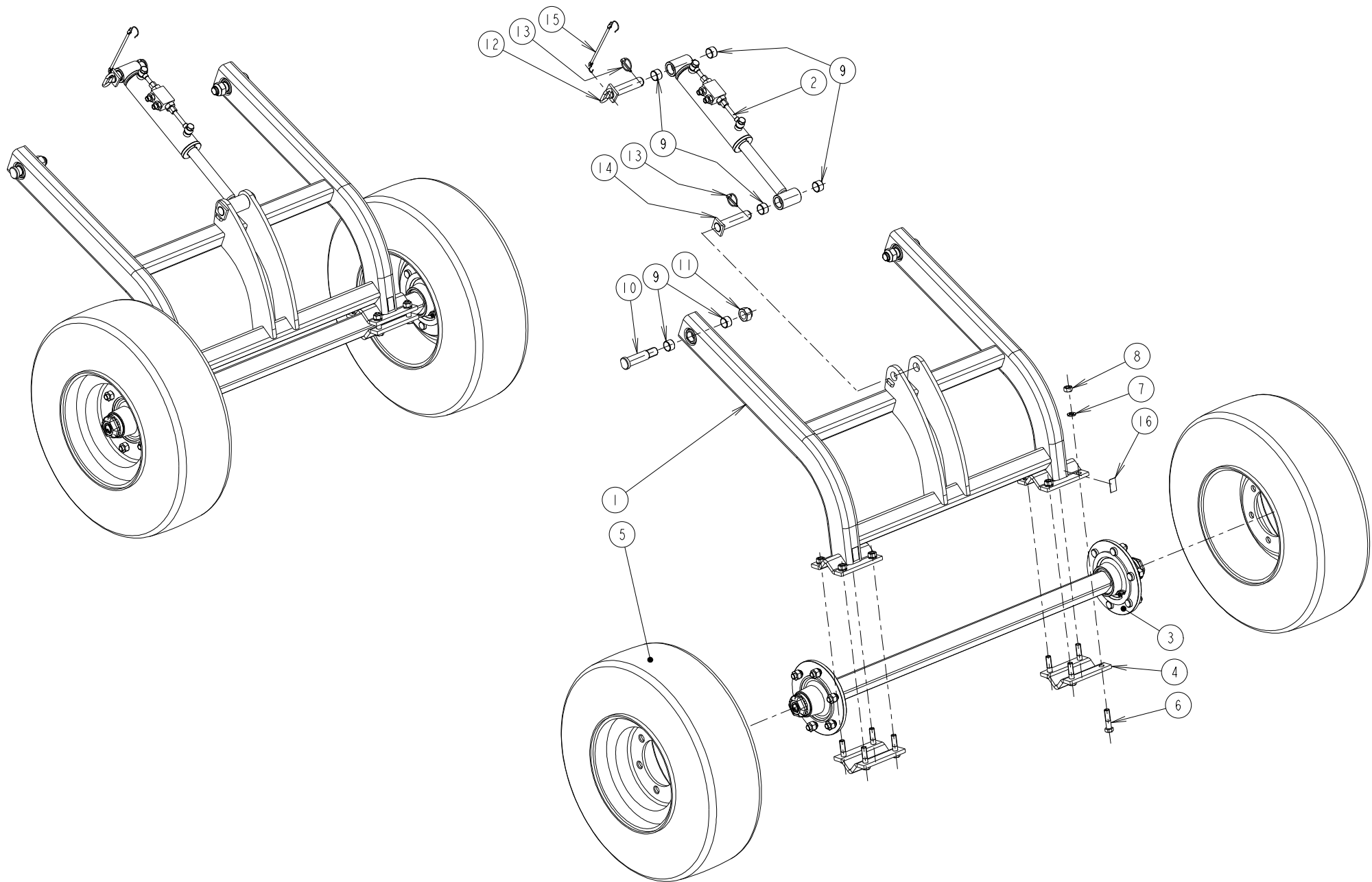
| | | | |
|-------|-----------|--------|--------|
| Exec. | LEANDRO | Verif. | Alter. |
| Data | 24-Ago-16 | Data | Data |

GRADE NA2CP 22-26" DRF

| | |
|-------|-----------|
| Série | NA2CP |
| Cód. | 22105CP04 |

| Fig. Ref. N° | Referência Code Codigo | Quantidade/Alfaia Quantité/Machine Quantity/Implement | Descrição | Designation | Description |
|--------------|------------------------|---|-----------------------------|------------------------------|---------------------------|
| | | NA2CP 22-26" | | | |
| 1 | 221002000 | 1 | OFFSET LANÇA | OFFSET TIMON | OFFSET DRAWBAR |
| 2 | 221002150 | 1 | LANÇA NA2CP | TIMON NA2CP | DRAWBAR NA2CP |
| 3 | 919268050 | 1 | ENGATE CONJ BBM 7040 | BROCHE D'ATTELAGE BBM 7040 | HITCH PIN BBM 7040 |
| 4 | 930001081 | 1 | LUBRIFICADOR M8x1 RECTO | GRAISEUR | GREASE NIPPLE |
| 5 | 931009000 | 1 | 60G-205I CIL HIDR D E | VÉRIN À DOUBLE EFFET | DOUBLE-ACTING CYLINDER |
| 6 | 913194018 | 1 | CAVILHÃO Ø40x180 | GOUPILLE | FIXING PIN |
| 7 | 911151390 | 1 | PORCA S AUTOBL M39x3 ZN | ÉCROU INDESSERRABLE M39x3 ZN | SELF LOCKING NUT M39x3 ZN |
| 8 | 904530010 | 1 | CAV. C/ ARGOLA Ø30x138 | GOUPILLE | LINCH PIN |
| 9 | 913211060 | 3 | CAVILHA DE ELO Ø 6 | GOUPILLE Á ANNEAU ROBOTANT 6 | LINCH PIN 6 |
| 10 | 904625140 | 1 | CAV. C/ ANILHA QD 30x120 | GOUPILLE 30x120 | PIN 30x120 |
| 11 | 904625060 | 1 | CAV. C/ ANILHA QD 30x125 | GOUPILLE 30x125 | PIN 30x125 |
| 12 | 912000330 | 1 | ANILHA 31-M30 | RONDELLE 31-M30 | FLAT WASHER 31-M30 |
| 13 | 912280090 | 2 | CASQ. AUTO-LUB GSM-4044-30 | BAGUE AUTOLUBRICANTE | SELF-LUBRICATING BUSHING |
| 14 | 912280240 | 4 | CASQ. AUTO-LUB GSM-3034-25 | BAGUE AUTOLUBRICANTE | SELF-LUBRICATING BUSHING |
| 15 | 912280160 | 4 | CASQ. AUTO-LUB GSM-3034-20 | BAGUE AUTOLUBRICANTE | SELF-LUBRICATING BUSHING |
| 16 | 913193013 | 2 | CAVILHÃO Ø30x127 | GOUPILLE | FIXING PIN |
| 17 | 911150270 | 2 | PORCA S AUTOBL M27 ZN | ÉCROU INDESSERRABLE M27 ZN | SELF LOCKING NUT M27 ZN |
| 18 | 990141220 | 1 | ETIQ. PONTO P/ LUBRIFICAÇÃO | ETIQUETTE LUBRIF. | LUBRIF. STICKER |
| 19 | 990216710 | 1 | AUTOC. GANCHO | AUTOC. CROCHET | HOOK STICKER |

| | | | | | | | |
|---|-------|-----------|--------|--------|-------------------------------|-------|-----------|
|  INDÚSTRIAS METALOMECÂNICAS, S.A. S. JOÃO DAS LAMPAS - PORTUGAL | Exec. | LEANDRO | Verif. | Alter. | GRADE NA2CP 22-26" DRF | Série | NA2CP |
| | Data | 24-Ago-16 | Data | Data | | Cód. | 22105CP05 |




| | | | | | |
|-------|-----------|--------|--|--------|--|
| Exec. | LEANDRO | Verif. | | Alter. | |
| Data | 24-Ago-16 | Data | | Data | |

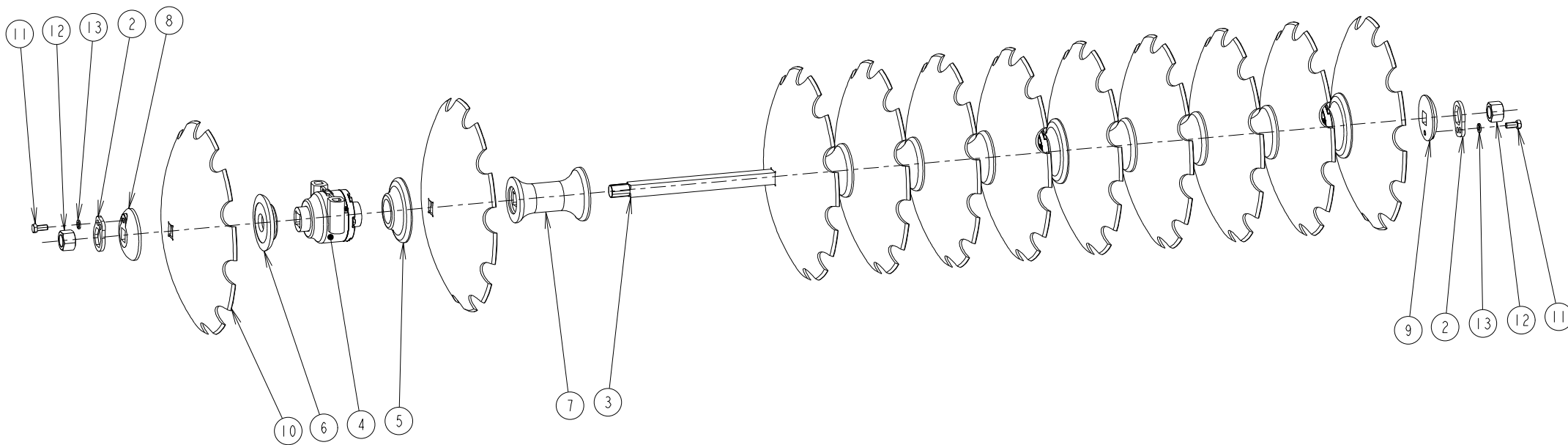
GRADE NA2CP 22-26" DRF

| | |
|-------|-----------|
| Série | NA2CP |
| Cód. | 22105CP06 |

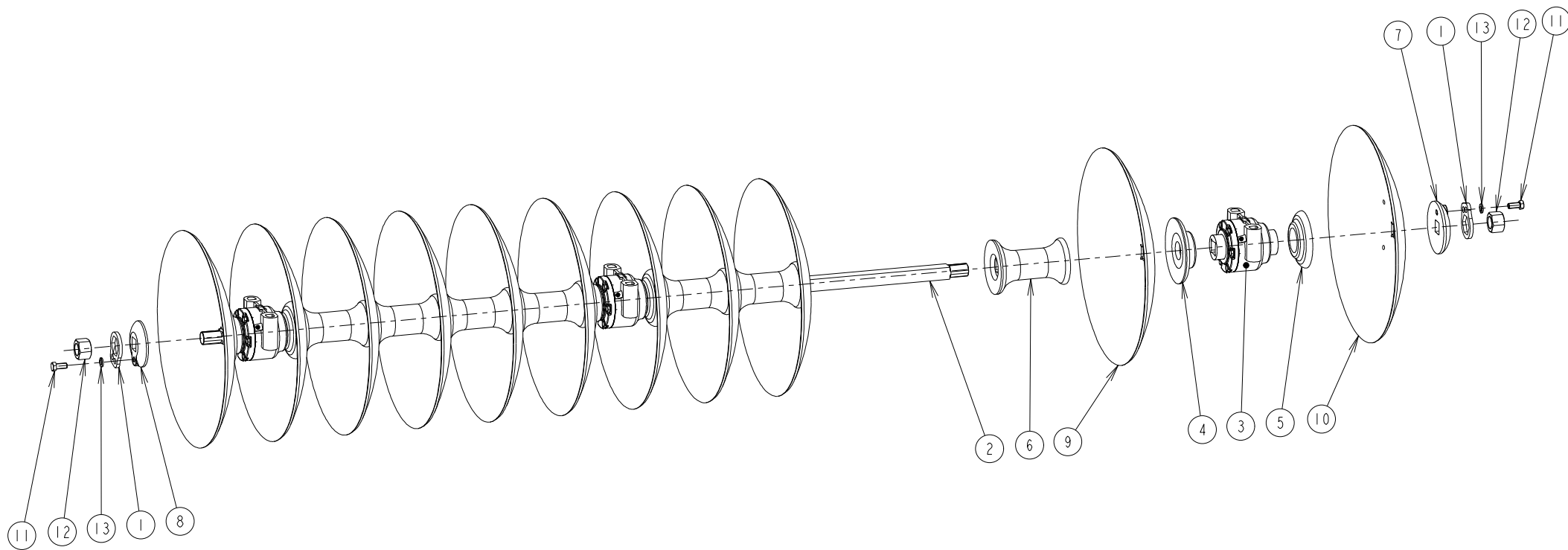
| Fig. Ref. N° | Referência Code Codigo | Quantidade/Alfaia Quantité/Machine Quantity/Implement | Descrição | Designation | Description |
|--------------|------------------------|---|-------------------------------|------------------------------|---------------------------|
| | | NA2CP 22-26" | | | |
| 1 | 221000850 | 1 | CONJ. BALANCIM | BRAS DE FIXATION DU ROULEAU | RETENTION ARM OF THE ROLL |
| 2 | 931009000 | 1 | 60G-205I CIL HIDR D E | VÉRIN À DOUBLE EFFET | DOUBLE-ACTING CYLINDER |
| 3 | 971910110 | 1 | EIXO COMPLETO QD60x1300 | ESSIEU 60x1300 | WHEEL AXLE 60x1300 |
| 4 | 242430100 | 2 | BRAÇADEIRA 130x110 | BRIDE 130x110 | CLAMP 130x110 |
| 5 | 971151531 | 2 | PNEU C/JANTE 10.0/75-15.3 12T | ROUE 10/75-15.3 12 T | WHEEL 10/75-15.3 12 PLY |
| 6 | 910101656 | 8 | PARAF. CS 8.8 M16x65 | VIS HEXAGONAL | HEXAGONAL SCREW |
| 7 | 912020160 | 8 | ANILHA MOLA 16 ZN | RONDELLE ÉLASTIQUE 16 | SPRING WASHER 16 |
| 8 | 911118160 | 8 | PORCA SEXT. 8 M16 | ÉCROU HEXAGONAL M16 | HEXAGONAL NUT M16 |
| 9 | 912280160 | 8 | CASQ. AUTO-LUB GSM-3034-20 | BAGUE AUTOLUBRICANTE | SELF-LUBRICATING BUSHING |
| 10 | 913193013 | 2 | CAVILHÃO Ø30x127 | GOUPILLE | FIXING PIN |
| 11 | 911150270 | 2 | PORCA S AUTOBL M27 ZN | ÉCROU INDESSERRABLE M27 ZN | SELF LOCKING NUT M27 ZN |
| 12 | 904530050 | 1 | CAV. C/ ARGOLA Ø30x120 ZN | GOUPILLE | LINCH PIN |
| 13 | 913211060 | 2 | CAVILHA DE ELO Ø6 | GOUPILLE Á ANNEAU ROBOTANT 6 | LINCH PIN 6 |
| 14 | 904625140 | 1 | CAV. C/ ANILHA QD 30x120 | GOUPILLE 30x120 | PIN 30x120 |
| 15 | 972520590 | 1 | SUPORTE DE CAVILHAS | SUPPORT DE GOUPILLE | PIN HOLDER |
| 16 | 990141220 | 2 | ETIQ. PONTO P/ LUBRIFICAÇÃO | ETIQUETTE LUBRIF. | LUBRIF. STICKER |

| | | | | | | | |
|---|-------|-----------|--------|--------|-------------------------------|-------|-----------|
|  INDÚSTRIAS METALOMECÂNICAS, S.A. S. JOÃO DAS LAMPAS - PORTUGAL | Exec. | LEANDRO | Verif. | Alter. | GRADE NA2CP 22-26" DRF | Série | NA2CP |
| | Data | 24-Ago-16 | Data | Data | | Cód. | 22105CP07 |

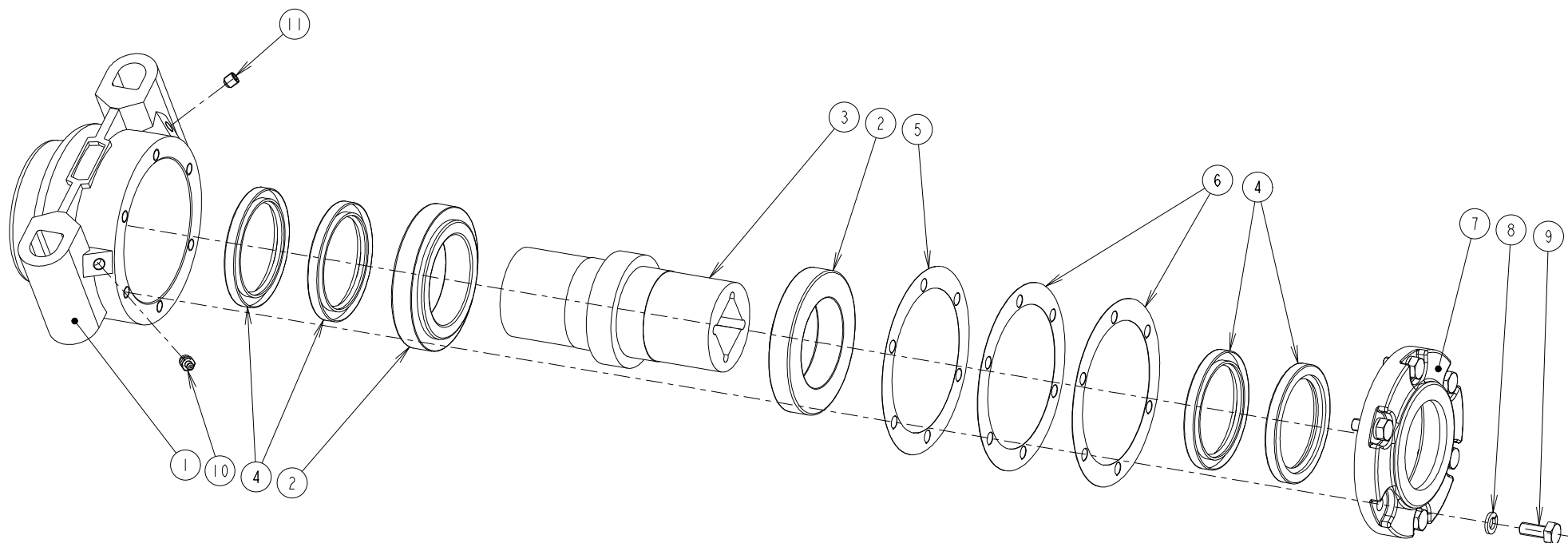
| Fig. Ref. N° | Referência Code Codigo | Quantidade/Alfaia Quantité/Machine Quantity/Implement NA2CP 22-26" | Descrição | Designation | Description |
|--------------|------------------------|---|--------------------------------|-----------------------------|---------------------|
| 1 | 221000950 | 2 | CONJ. PILAR TRASEIRO | PILIER ARRIÈRE | PILLAR REAR |
| 2 | 223510930 | 2 | ANILHA BLOQ. ROLO DISCOS | ANNEAU DE BLOCAGE | BLOCKING RING |
| 3 | 223930010 | 1 | VEIO DOS DISCOS 2430 | AXE DE ROTATION DES DISQUES | DISC ROTARY AXLE |
| 4 | 800103080 | 3 | CHUMACEIRA 38-9" DIANT S/FL | PALIER | BEARING |
| 5 | 800110230 | 3 | FLANGE CONC P/ CHUM. 38-9" | FLASQUE CONCAVE | CONCAVE FLANGE |
| 6 | 800120230 | 3 | FLANGE CONV P/ CHUM. 38-9" | FLASQUE CONVEXE | CONVEX FLANGE |
| 7 | 800200270 | 7 | SEPARADOR 9" P/VEIO 38 c/226,9 | ENTRETOISE | DISC SPACER |
| 8 | 800240270 | 1 | FLANGE CONCAVA QD38x9" | FLASQUE CONCAVE | CONCAVE FLANGE |
| 9 | 800250270 | 1 | FLANGE CONVEXA QD38x9" | FLASQUE D'EXTRÉMITÉ CONVEXE | CONVEX FLANGE |
| 10 | 811032662 | 11 | DISCO REC. 660x6x40-26" | DISQUE CRENELÉ | NOTCHED DISC |
| 11 | 910111635 | 2 | PARAF. CS RT 8.8 M16x35 | VIS HEXAGONAL | HEXAGONAL SCREW |
| 12 | 911119395 | 2 | PORCA M39x3-38 SEXT.55 | ÉCROU HEXAGONAL M39x3 | HEXAGONAL NUT M39x3 |
| 13 | 912020160 | 2 | ANILHA MOLA 16 ZN | RONDELLE ÉLASTIQUE 16 | SPRING WASHER 16 |



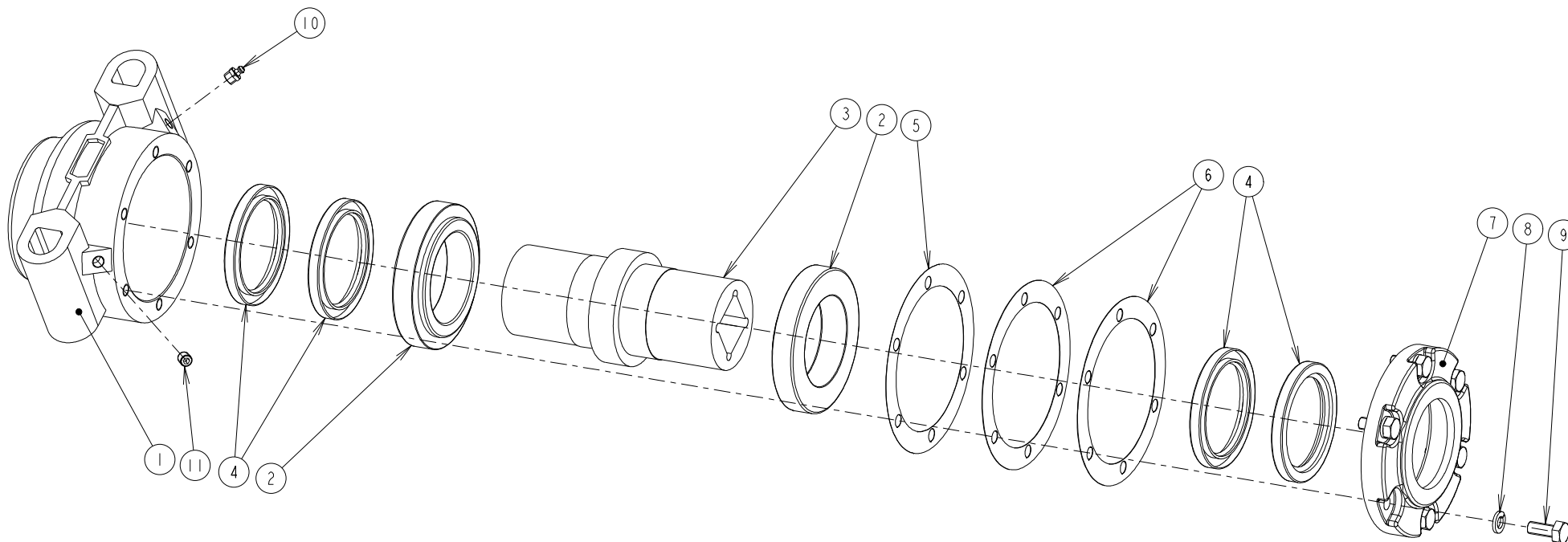
| Fig. Ref. N° | Referência Code Codigo | Quantidade/Alfaia Quantité/Machine Quantity/Implement | Descrição | Designation | Description |
|--------------|------------------------|---|--------------------------------|-----------------------------|---------------------|
| | | NA2CP 22-26" | | | |
| 1 | 223510930 | 2 | ANILHA BLOQ. ROLO DISCOS | ANNEAU DE BLOCAGE | BLOCKING RING |
| 2 | 223930010 | 1 | VEIO DOS DISCOS 2430 | AXE DE ROTATION DES DISQUES | DISC ROTARY AXLE |
| 3 | 800102980 | 3 | CHUMACEIRA 38-9" TRAS S/FL | PALIER | BEARING |
| 4 | 800110230 | 3 | FLANGE CONC P/ CHUM. 38-9" | FLASQUE CONCAVE | CONCAVE FLANGE |
| 5 | 800120230 | 3 | FLANGE CONV P/ CHUM. 38-9" | FLASQUE CONVEXE | CONVEX FLANGE |
| 6 | 800200270 | 7 | SEPARADOR 9" P/VEIO 38 c/226,9 | ENTRETOISE | DISC SPACER |
| 7 | 800240270 | 1 | FLANGE CONCAVA QD38x9" | FLASQUE CONCAVE | CONCAVE FLANGE |
| 8 | 800250270 | 1 | FLANGE CONVEXA QD38x9" | FLASQUE D'EXTRÉMITÉ CONVEXE | CONVEX FLANGE |
| 9 | 811022662 | 10 | DISCO LISO 660x6x40-26" | DISQUE LISSE | PLAIN DISC |
| 10 | 811022667 | 1 | DISCO LISO 660x6x40-26" C/FURO | DISQUE LISSE | PLAIN DISC |
| 11 | 910111635 | 2 | PARAF. CS RT 8.8 M16x35 | VIS HEXAGONAL | HEXAGONAL SCREW |
| 12 | 911119395 | 2 | PORCA M39x3-38 SEXT.55 | ÉCROU HEXAGONAL M39x3 | HEXAGONAL NUT M39x3 |
| 13 | 912020160 | 2 | ANILHA MOLA 16 ZN | RONDELLE ÉLASTIQUE 16 | SPRING WASHER 16 |

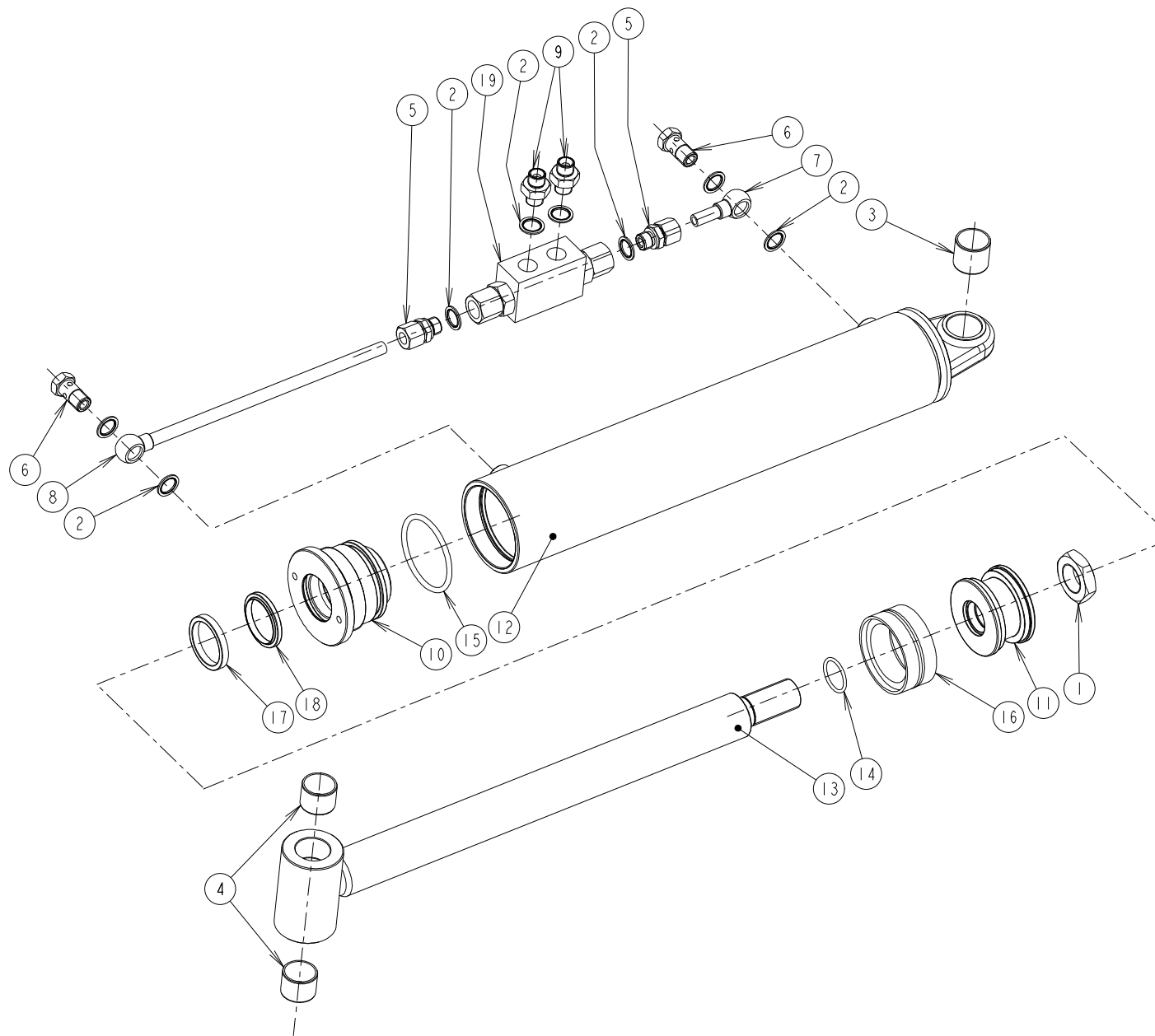


| Fig. Ref. N° | Referência Code Codigo | Quantidade/Alfaia Quantité/Machine Quantity/Implement | Descrição | Designation | Description |
|--------------|------------------------|---|-------------------------------------|--|--|
| | | | | | NA2CP 22-26" |
| 1 | 800102150 | 1 | CAIXA CHUM. 38-10";11";12" | BOITE DE PALIER | BEARING HOUSING |
| 2 | 951334300 | 2 | ROL. 34300/34478 CÔNICO | ROULEMENT | BEARING |
| 3 | 800130240 | 1 | COQUILHA 38-9" Ø95 | FOURREAU | INGOLD MOULD |
| 4 | 932207520 | 4 | RETENTOR 75x100x10 | JOINT | RETAINER |
| 5 | 932301352 | 1 | JUNTA CIRCUL 135x0.15 | JOINT PLAT | ROUND GASKET |
| 6 | 932301354 | 2 | JUNTA CIRCUL 135x0.4 | JOINT PLAT | ROUND GASKET |
| 7 | 800102140 | 1 | TAMPA DA CHUM. QD.38 | FLASQUE DE PALIER | SHEAT CAP |
| 8 | 912020100 | 6 | ANILHA MOLA 10 ZN | RONDELLE ÉLASTIQUE 10 | SPRING WASHER 10 |
| 9 | 910111025 | 6 | PARAF. CS RT 8.8 M10x25 | VIS HEXAGONAL | HEXAGONAL SCREW |
| 10 | 930001101 | 1 | LUBRIFICADOR M10x1 RECTO | GRAISEUR | GREASE NIPPLE |
| 11 | 910901110 | 1 | PARAF. S/ CAB. S.I. M10x1-10 DIN916 | VIS SANS TETE SIX PANS M10x1-16 DIN916 | INT. HEX. SOCKET SET SCREW M10x1-16 DIN916 |




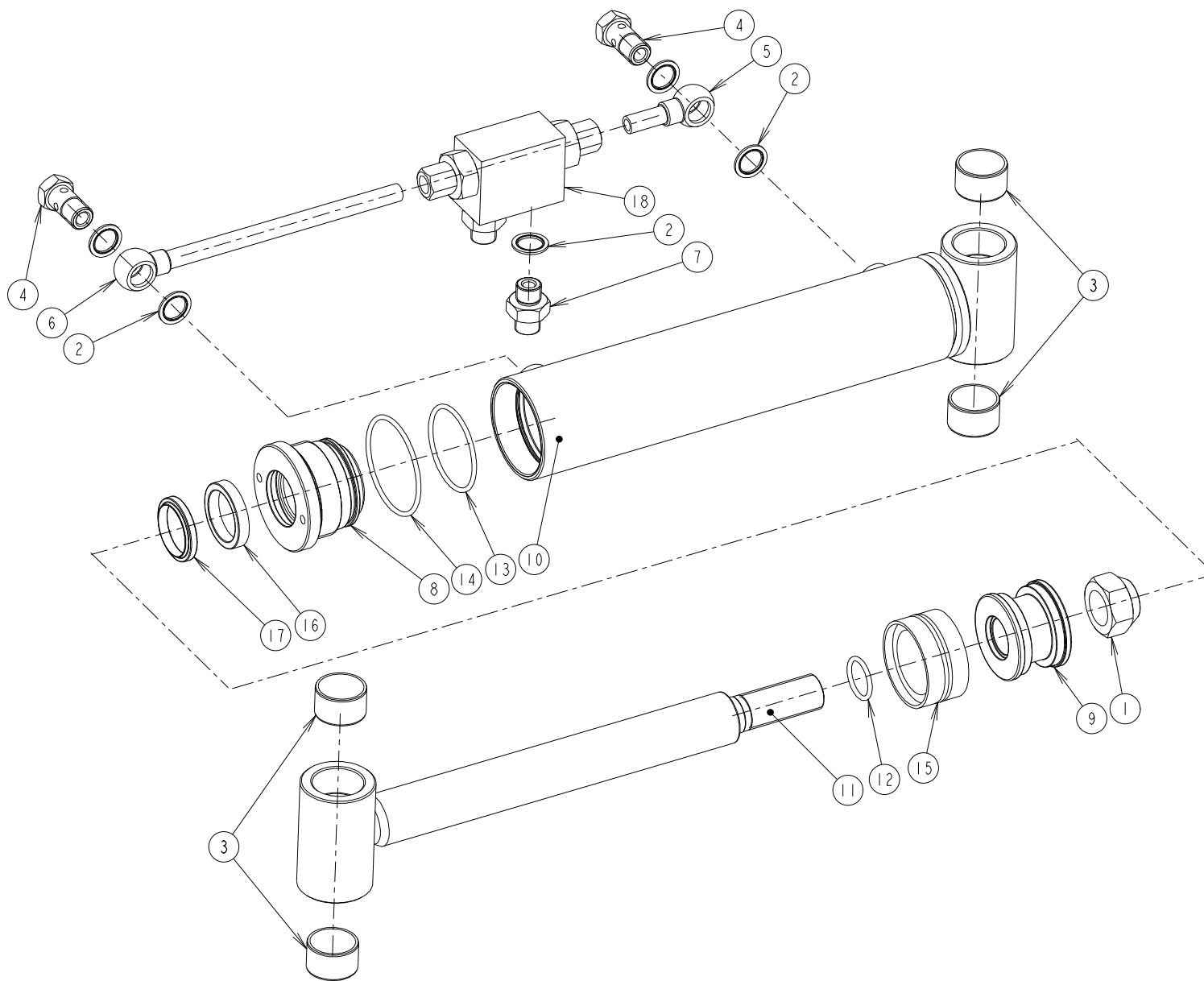
| Fig. Ref. N° | Referência Code Codigo | Quantidade/Alfaia Quantité/Machine Quantity/Implement | Descrição | Designation | Description |
|--------------|------------------------|---|-------------------------------------|--|--|
| | | | | | NA2CP 22-26" |
| 1 | 800102150 | 1 | CAIXA CHUM. 38-10";11";12" | BOITE DE PALIER | BEARING HOUSING |
| 2 | 951334300 | 2 | ROL. 34300/34478 CÔNICO | ROULEMENT | BEARING |
| 3 | 800130240 | 1 | COQUILHA 38-9" Ø95 | FOURREAU | INGOLD MOULD |
| 4 | 932207520 | 4 | RETENTOR 75x100x10 | JOINT | RETAINER |
| 5 | 932301352 | 1 | JUNTA CIRCUL 135x0.15 | JOINT PLAT | ROUND GASKET |
| 6 | 932301354 | 2 | JUNTA CIRCUL 135x0.4 | JOINT PLAT | ROUND GASKET |
| 7 | 800102140 | 1 | TAMPA DA CHUM. QD.38 | FLASQUE DE PALIER | SHEAT CAP |
| 8 | 912020100 | 6 | ANILHA MOLA 10 ZN | RONDELLE ÉLASTIQUE 10 | SPRING WASHER 10 |
| 9 | 910111025 | 6 | PARAF. CS RT 8.8 M10x25 | VIS HEXAGONAL | HEXAGONAL SCREW |
| 10 | 930001101 | 1 | LUBRIFICADOR M10x1 RECTO | GRAISEUR | GREASE NIPPLE |
| 11 | 910901110 | 1 | PARAF. S/ CAB. S.I. M10x1-10 DIN916 | VIS SANS TETE SIX PANS M10x1-16 DIN916 | INT. HEX. SOCKET SET SCREW M10x1-16 DIN916 |





| Fig. Ref. N° | Referência Code Codigo | Quantidade/Alfaia Quantité/Machine Quantity/Implement | Descrição | Designation | Description |
|--------------|------------------------|---|---------------------------------------|---------------------------------|----------------------------|
| | | NA2CP 22-26" | | | |
| 1 | 911119300 | 1 | PORCA SEXT. REB. M30x2 | ÉCROU HEXAGONAL M30x2 | HEXAGONAL NUT M30x2 |
| 2 | 912068167 | 8 | ANILHA VED. 16.7x24.x1.5 | RONDELLE D'ÉTAINCHEITÉ | SEALING WASHER |
| 3 | 912280060 | 1 | CASQ. AUTO-LUB GSM-3034-30 | BAGUE AUTOLUBRICANTE | SELF-LUBRICATING BUSHING |
| 4 | 912280240 | 2 | CASQ. AUTO-LUB GSM-3034-25 | BAGUE AUTOLUBRICANTE | SELF-LUBRICATING BUSHING |
| 5 | 930541120 | 2 | UNIÃO DL12 DIN 2353 | ÉCROU DE RAPPEL Ø12 | MALE CONECTION Ø12 |
| 6 | 930609212 | 2 | PARAF. REF. 3EB672-12-21 | VIS | BOLT |
| 7 | 930609270 | 1 | BANJO 3/8"xØ12-50 | BANJO | BANJO |
| 8 | 930609272 | 1 | BANJO 3/8"xØ12-300 | BANJO | BANJO |
| 9 | 930623839 | 2 | UNIÃO DUP M 3/8 BSP-FURO 2 | UNION MASCULIN 3/8"BSP-TROU Ø2 | MALE UNION 3/8"BSP-HOLE Ø2 |
| 10 | 930965011 | 1 | TAMPA DO CILINDRO 80G | CULASSE 80G | 80G END COVER |
| 11 | 930970140 | 1 | PORCA ÊMBOLO GAL-80G | PISTON 80G | 80G NUT |
| 12 | 931014810 | 1 | CORPO DO CIL 80G-380 - CASQ. AUTO-LUB | CORPS DU VÉRIN | CYLINDER BODY |
| 13 | 931014830 | 1 | HASTE Ø45x572 - CASQ. AUTO-LUB | ARBRE DE TIGE | PISTON ROCKER |
| 14 | 932003030 | 1 | O'RING 3x30 90 SHORE A | JOINT TORIQUE | O'RING |
| 15 | 932006070 | 1 | O'RING 5x70 90 SHORE A | JOINT TORIQUE | O'RING |
| 16 | 932110800 | 1 | VEDANTE 80x60x22,4 A/DUP | JOINT | SEAL |
| 17 | 932120457 | 1 | VEDANTE 45/55x7,3 HALLITE-605 | JOINT DE LA TIGE | ROD SEAL |
| 18 | 932240451 | 1 | LABIO RASPADOR 45x55x5x7 | RÂCLEUR | SCRAPER |
| 19 | 933210050 | 1 | VÁLVULA DUPL.RET.HID.VSO-DE-L 3/8" | SOUPAPE DE RÉTENUJE HYDRAULIQUE | HYDRAULIC RETAINING VALVE |

| | | | | | | | |
|---|-------|-----------|--------|--------|--|-------|-----------|
|  INDÚSTRIAS METALOMECÂNICAS, S.A. S. JOÃO DAS LAMPAS - PORTUGAL | Exec. | LEANDRO | Verif. | Alter. | 80G-380XI CIL. HIDR. D. E. (931014800) | Série | NA2CP |
| | Data | 24-Ago-16 | Data | Data | | Cód. | 22105CP13 |




| | | | | | |
|-------|-----------|--------|--|--------|--|
| Exec. | LEANDRO | Verif. | | Alter. | |
| Data | 24-Ago-16 | Data | | Data | |

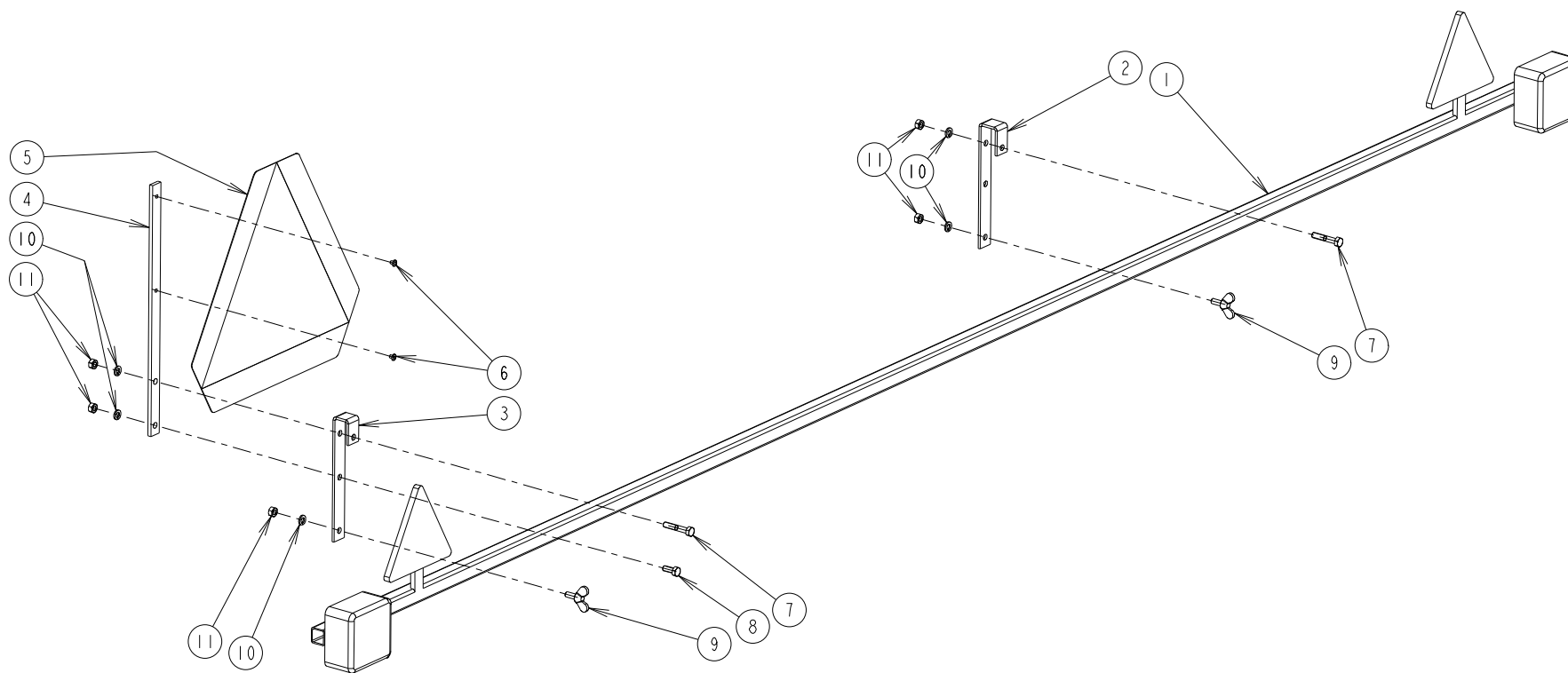
60G-205I CIL. HIDR. D. E. (931009000)

| | |
|-------|-----------|
| Série | NA2CP |
| Cód. | 22105CP14 |

| Fig. Ref. N° | Referência Code Codigo | Quantidade/Alfaia Quantité/Machine Quantity/Implement | Descrição | Designation | Description |
|--------------|------------------------|---|--|--------------------------------|----------------------------|
| | | NA2CP 22-26" | | | |
| 1 | 911151240 | 1 | PORCA S AUTOBL M24x2 ZN | ÉCROU INDESSERRABLE M24x2 ZN | SELF LOCKING NUT M24x2 ZN |
| 2 | 912068167 | 6 | ANILHA VED. 16.7x24.x1.5 | RONDELLE D'ÉTAINCHEITÉ | SEALING WASHER |
| 3 | 912280160 | 4 | CASQ. AUTO-LUB GSM-3034-20 | BAGUE AUTOLUBRICANTE | SELF-LUBRICATING BUSHING |
| 4 | 930609212 | 2 | PARAF. REF. 3EB672-12-21 | VIS | BOLT |
| 5 | 930609270 | 1 | BANJO 3/8"xØ12-50 | BANJO | BANJO |
| 6 | 930609271 | 1 | BANJO 3/8"xØ12-200 | BANJO | BANJO |
| 7 | 930623839 | 2 | UNIÃO DUP M 3/8 BSP-FURO 2 | UNION MASCULIN 3/8"BSP-TROU Ø2 | MALE UNION 3/8"BSP-HOLE Ø2 |
| 8 | 930965018 | 1 | TAMPA DO CILINDRO 60Gx50 | CULASSE 60Gx50 | 60Gx50 END COVER |
| 9 | 930970120 | 1 | PORCA ÊMBOLO GAL-60G | PISTON 60G | 60G NUT |
| 10 | 931009010 | 1 | CORPO DO CILINDRO 60G-205 - CASQ. AUTO-LUB | CORPS DU VÉRIN | CYLINDER BODY |
| 11 | 931009030 | 1 | HASTE Ø35x361.5 - CASQ. AUTO-LUB | ARBRE DE TIGE | PISTON ROCKER |
| 12 | 932003024 | 1 | O'RING 3x24 90 SHORE A | JOINT TORIQUE | O'RING |
| 13 | 932003054 | 1 | O'RING 3x54 90 SHORE A | JOINT TORIQUE | O'RING |
| 14 | 932003063 | 1 | O'RING 3x63 90 SHORE A | JOINT TORIQUE | O'RING |
| 15 | 932110601 | 1 | VEDANTE 60x44x18,5 A/DUP | JOINT | SEAL |
| 16 | 932120358 | 1 | VEDANTE 35x45x8 | JOINT DE LA TIGE | ROD SEAL |
| 17 | 932240351 | 1 | LABIO RASPADOR 35x43x5x7 | RÂCLEUR | SCRAPER |
| 18 | 933210042 | 1 | VÁLV DUPL RET HIDR 27-3/8"x12 | SOUPAPE DE RÉTENUÉ HYDRAULIQUE | HYDRAULIC RETAINING VALVE |

| | | | | | | | |
|---|-------|-----------|--------|--------|---------------------------------------|-------|-----------|
|  INDÚSTRIAS METALOMECÂNICAS, S.A. S. JOÃO DAS LAMPAS - PORTUGAL | Exec. | LEANDRO | Verif. | Alter. | 60G-205I CIL. HIDR. D. E. (931009000) | Série | NA2CP |
| | Data | 24-Ago-16 | Data | Data | | Cód. | 22105CP15 |

| Fig. Ref. N° | Referência Code Codigo | Quantidade/Alfaia Quantité/Machine Quantity/Implement | Descrição | Designation | Description |
|--------------|------------------------|---|--------------------------------|------------------------------|--------------------------|
| | | NA2CP 22-26" | | | |
| 1 | 949160100 | 1 | KIT ILUMIN.2000-3000 C/CABO 7M | KIT FEUX 2000-3000 | KIT LIGHTS 2000-3000 |
| 2 | 224490890 | 1 | SUPORTE DAS LUZES ESQ | SUPPORT DES LUMIÈRES, GAUCHE | SUPPORT THE LIGHTS LEFT |
| 3 | 224490900 | 1 | SUPORTE DAS LUZES DRT | SUPPORT DES LUMIÈRES, DROIT | SUPPORT THE LIGHTS RIGHT |
| 4 | 221001100 | 1 | SUPT. TRIANG. VEIC. LENTO | SUPPORT TRIANGLE | TRIANGLE SUPPORT |
| 5 | 990223100 | 1 | REFLECTOR TRIA. ENCARNADO S2 | RÉFLECTEUR ROUGE | REFLECTOR RED |
| 6 | 913300516 | 2 | REBITE RÁPIDO 5x16 POP | RIVET 5x16 | RIVET 5x16 |
| 7 | 910100845 | 2 | PARAF. CS 8.8 M8x45 | VIS HEXAGONAL | HEXAGONAL SCREW |
| 8 | 910110820 | 1 | PARAF. CS RT 8.8 M8x20 | VIS HEXAGONAL | HEXAGONAL SCREW |
| 9 | 910470820 | 2 | PARAF 4.6 M8x20 Zn C/ ORELHAS | VIS À OREILLES 4.6 M8x20 Zn | WING SCREW 4.6 M8x20 Zn |
| 10 | 912020080 | 5 | ANILHA MOLA 8 ZN | RONDELLE ÉLASTIQUE 8 | SPRING WASHER 8 |
| 11 | 911118080 | 5 | PORCA SEXT. 8 M8 | ÉCROU HEXAGONAL M8 | HEXAGONAL NUT M8 |



| Fig. Ref. N ^o | Referência Code Codigo | Quantidade/Alfaia Quantité/Machine Quantity/Implement NA2CP 22-26" | Descrição | Designation | Description |
|--------------------------|------------------------|---|---------------------------------|---------------------------|-------------------------|
| 1 | 800209040 | 1 | SEPARADOR 9" P/ QD38 | ENTRETOISE | DISC SPACER |
| 2 | 811022016 | 1 | DISCO LISO 510x4x29-20" C/ FURO | DISQUE LISSE | PLAIN DISC |
| 3 | 910111230 | 8 | PARAF. CS RT 8.8 M12x30 | VIS HEXAGONAL | HEXAGONAL SCREW |
| 4 | 912020120 | 16 | ANILHA MOLA 12 ZN | RONDELLE ÉLASTIQUE 12 | SPRING WASHER 12 |
| 5 | 911118120 | 16 | PORCA SEXT. 8 M12 | ÉCROU HEXAGONAL M12 | HEXAGONAL NUT M12 |
| 6 | 221003030 | 1 | ACRESCENTE PARA RASPADEIRA | SUPPORT DE DECROTTOIR | DISC SCRAPER SUPPORT |
| 7 | 221003050 | 2 | CONJ. RASPADEIRA DISCO APAG. | DESCROTTOIR TRAIN ARRIÈRE | DISC SCRAPER, REAR GANG |
| 8 | 915041274 | 2 | BRAÇAD. RECT. M12x47x74 | BOULON EN "U" M12x47x74 | U BOLT M12x47x74 |
| 9 | 915041284 | 2 | BRAÇAD. RECT. M12x47x84 | BOULON EN "U" M12x47x84 | U BOLT M12x47x84 |

